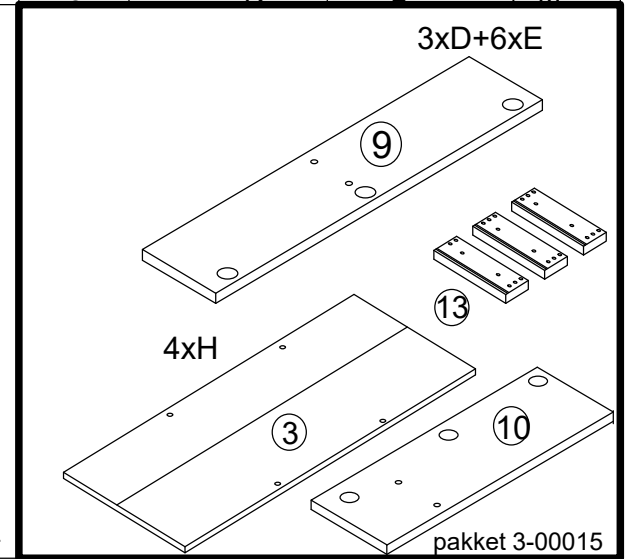
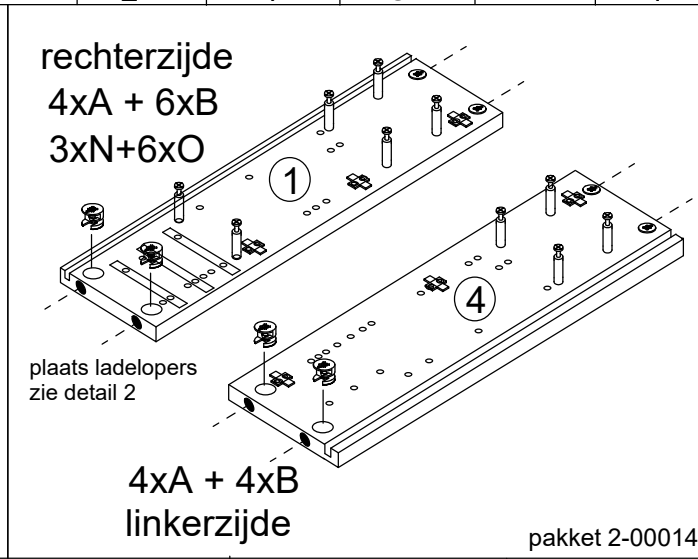
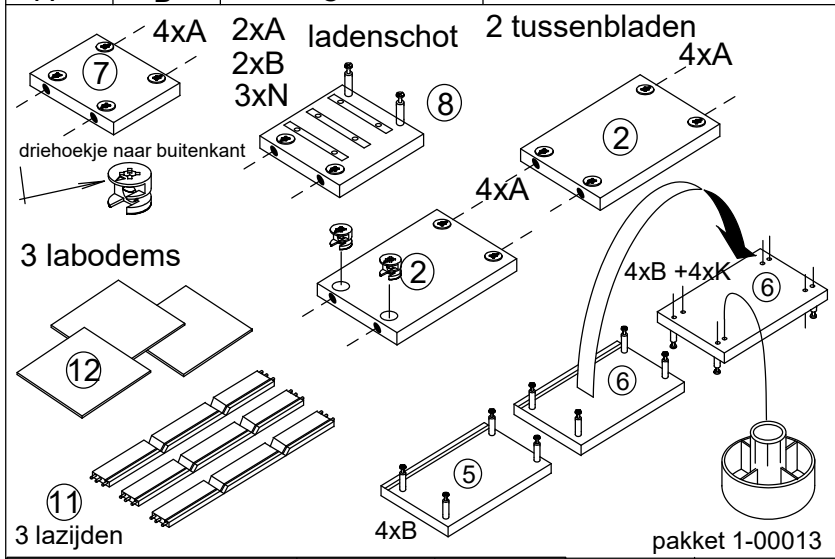
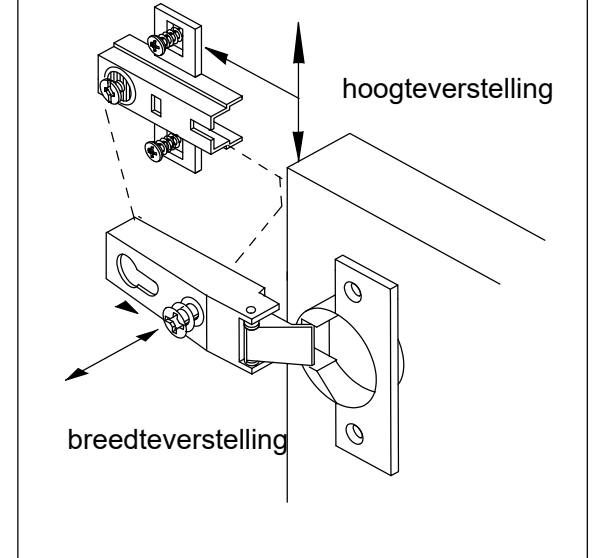
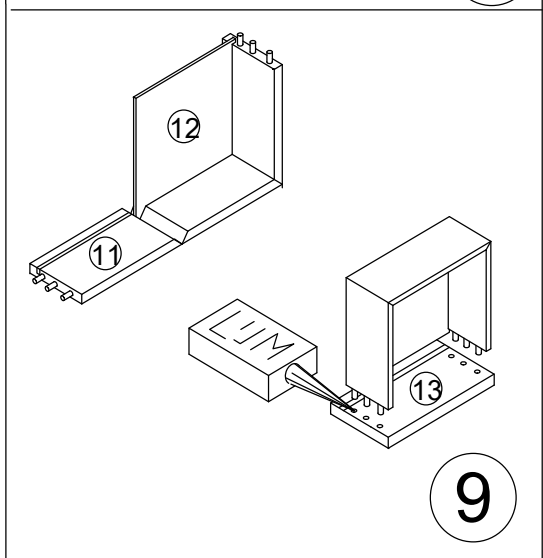
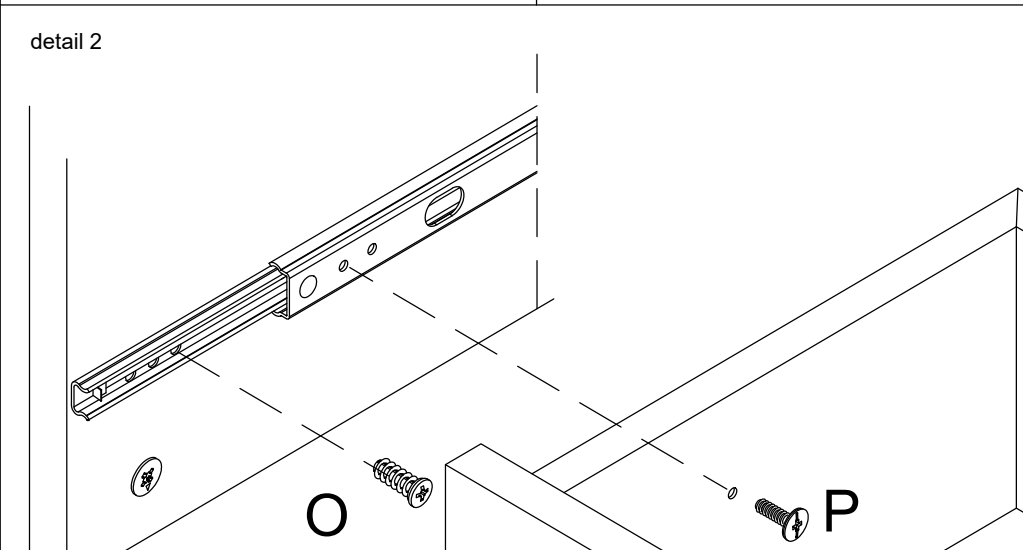
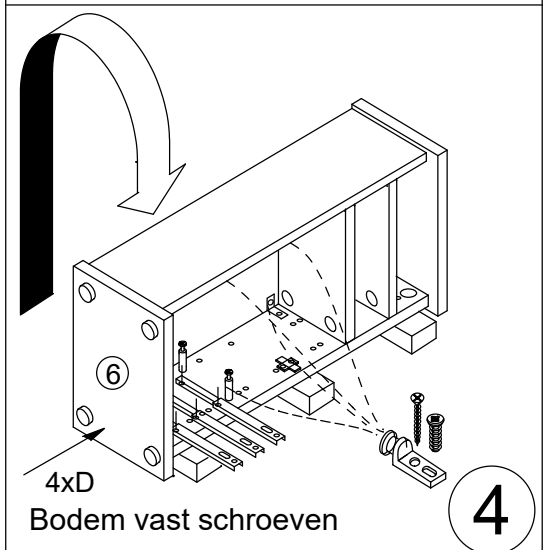
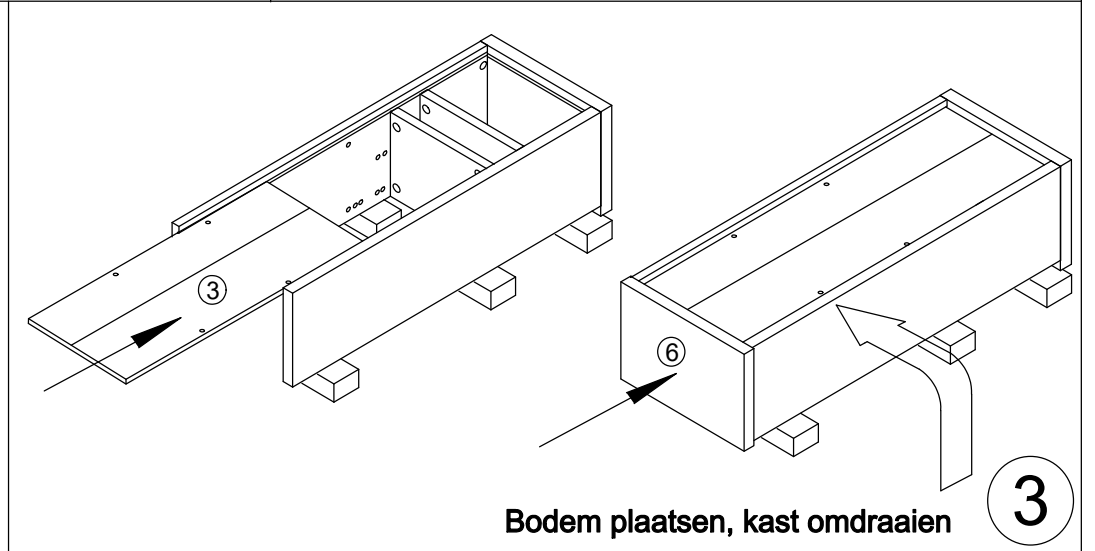
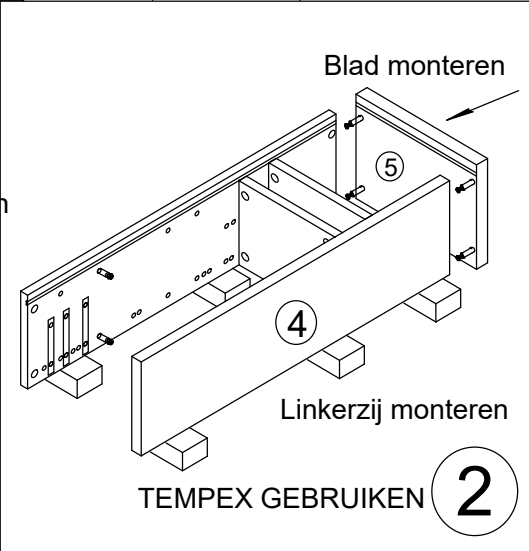
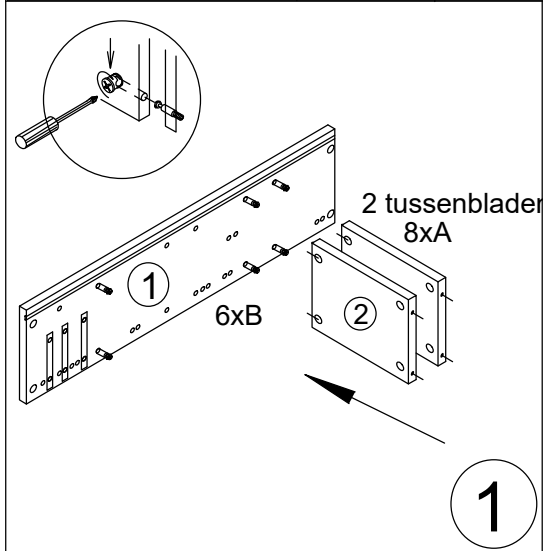


22x 90250080 A	22x 90250076 B	6x 90250016 C	6x 0 mm D	12x 90250021 E	2x 90250027 F	1x 90250025 G	4x 90250069 H	4x 90250026 I	4x 9025103517 J	4x 90250102 K	5x 90250113 L	10x 9025104030 M
----------------------	----------------------	---------------------	-----------------	----------------------	---------------------	---------------------	---------------------	---------------------	-----------------------	---------------------	---------------------	------------------------



6x 342 90250054 N	12x 7.2 10.5 17.1 O	6x -M4- P	1x 90250008 Q
----------------------------	---------------------------------	-----------------	---------------------



authn. eiken-wit
160-66
2DRN+3LDNFRONT+
AW KAST PEP 082,5X199

artikelcode:
00015

pakket van
3 3



kast 2 deurs+3 laden
6 panelen
hxbxd 200x85x60cm
karton:2000x410x38mm 18KG