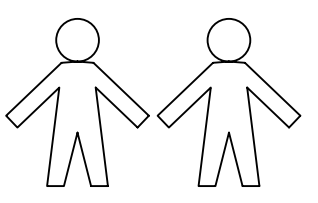
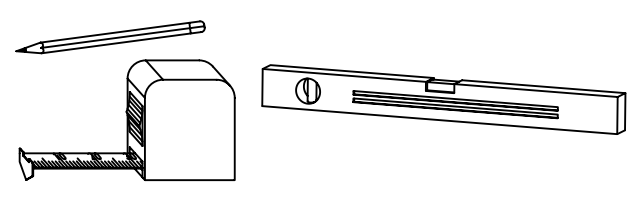
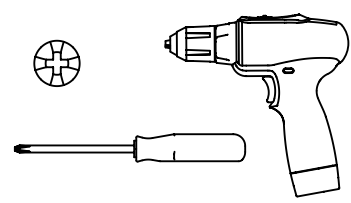


1.

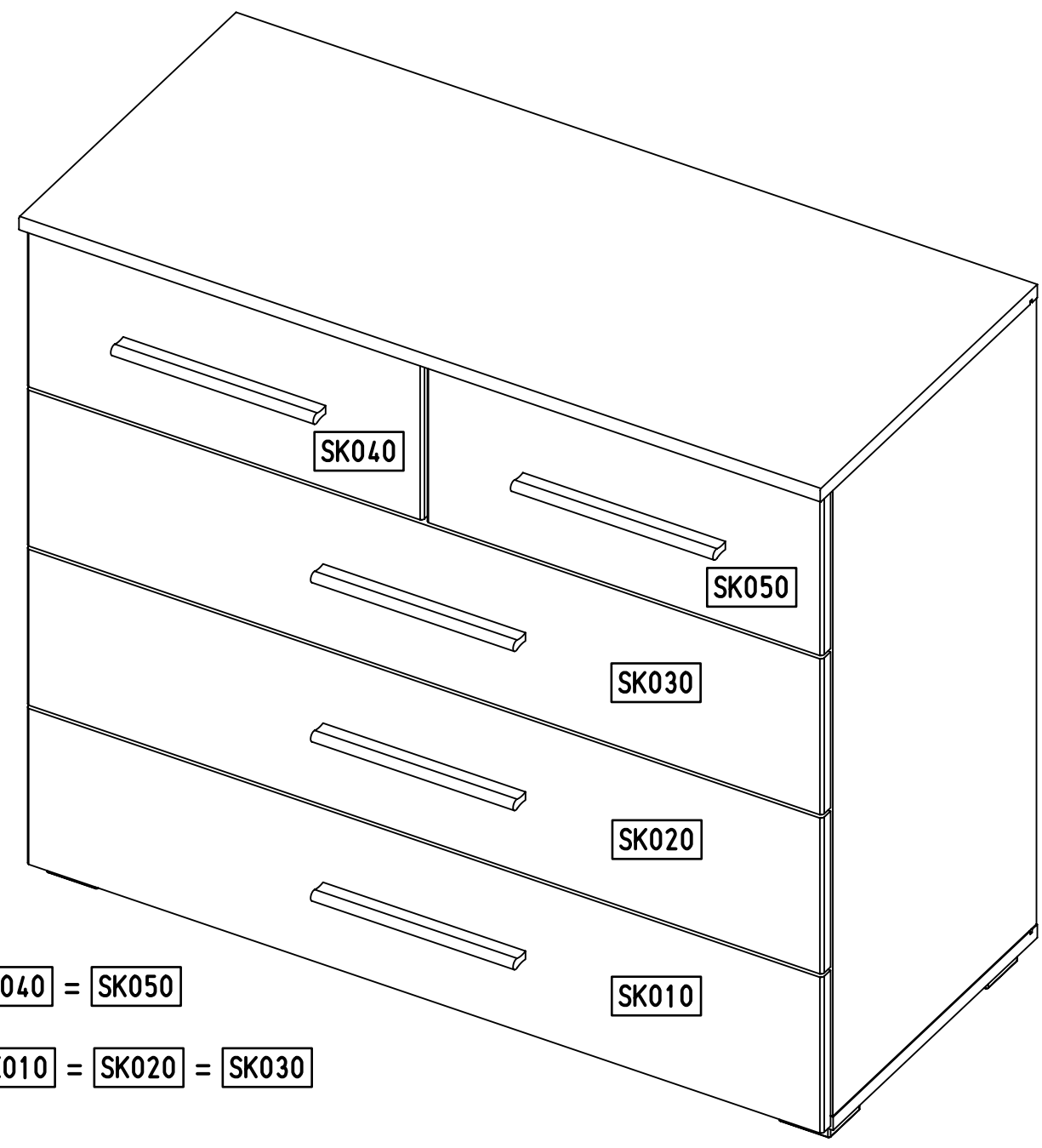
M2109_03

rauch



ø8mm
ø6mm

1,5-2h

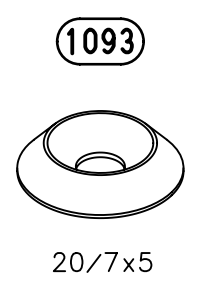
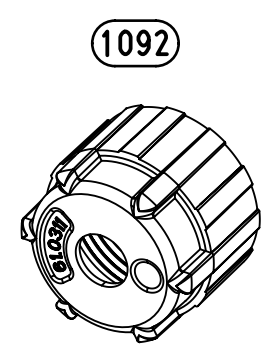
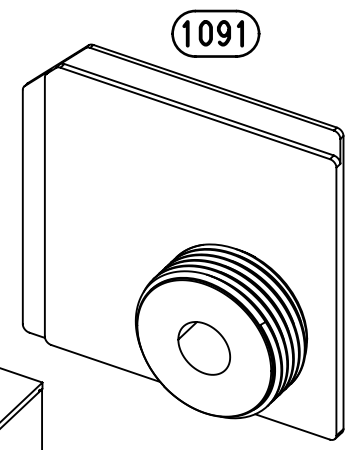


SK040 = SK050

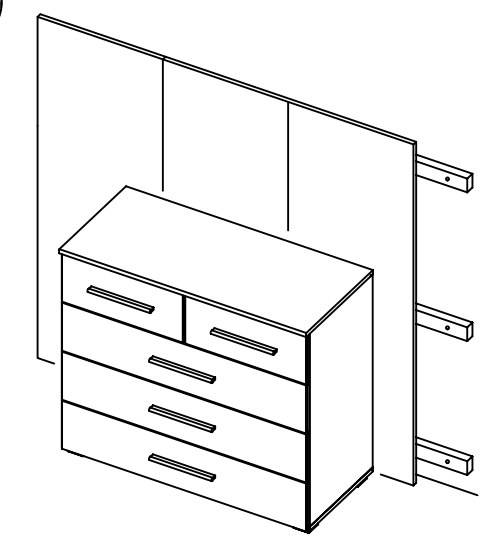
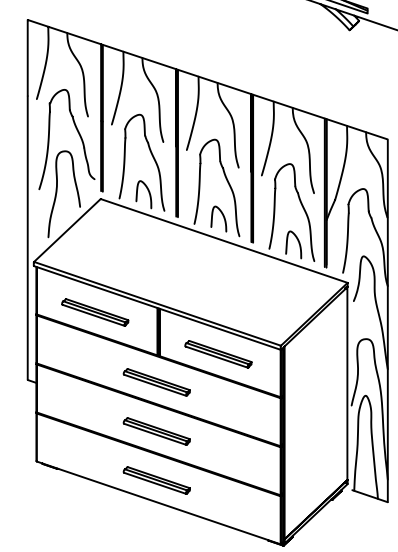
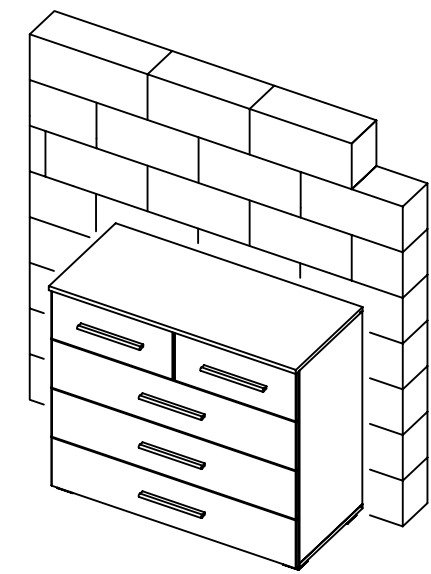
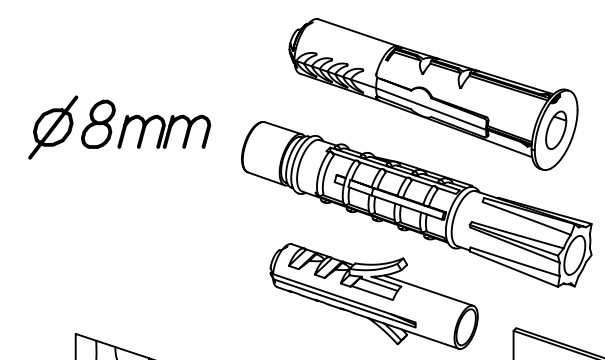
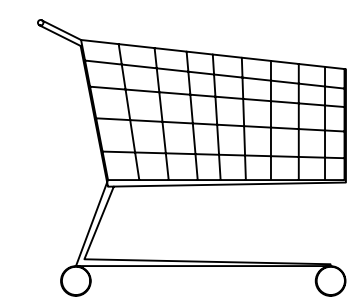
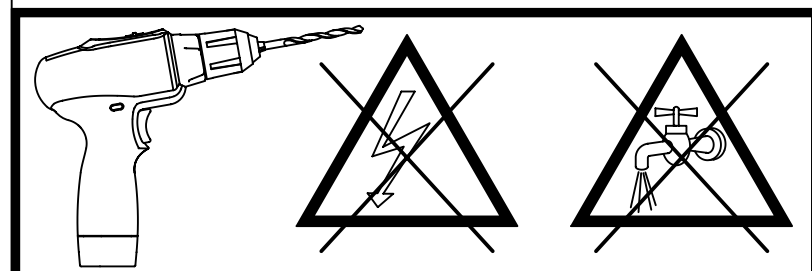
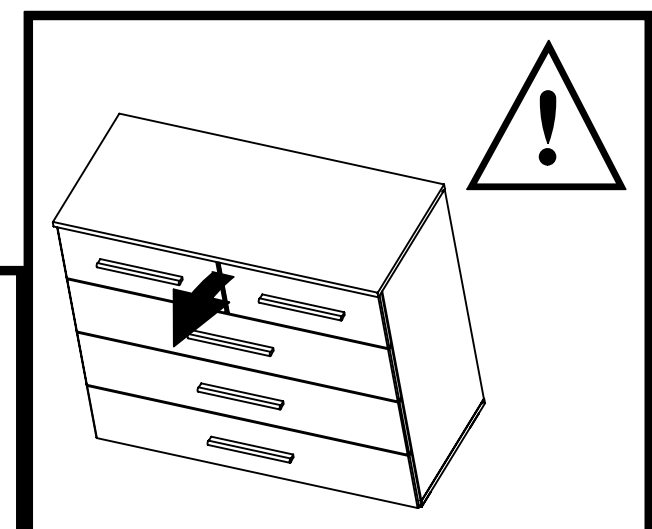
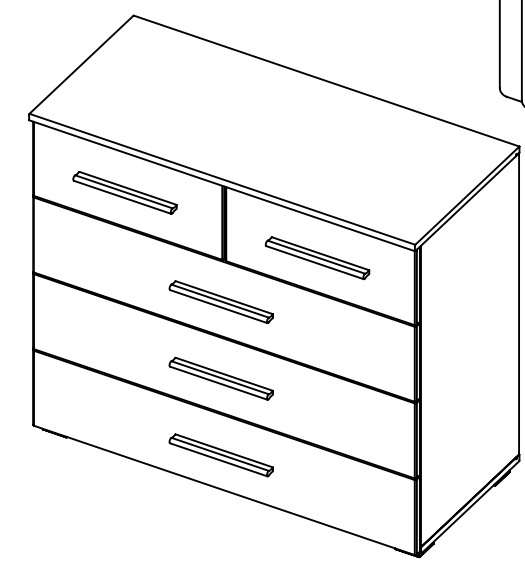
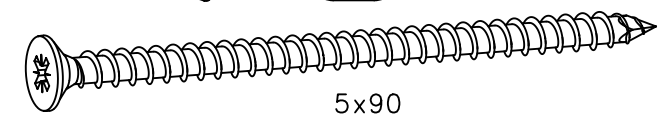
SK010 = SK020 = SK030

2.

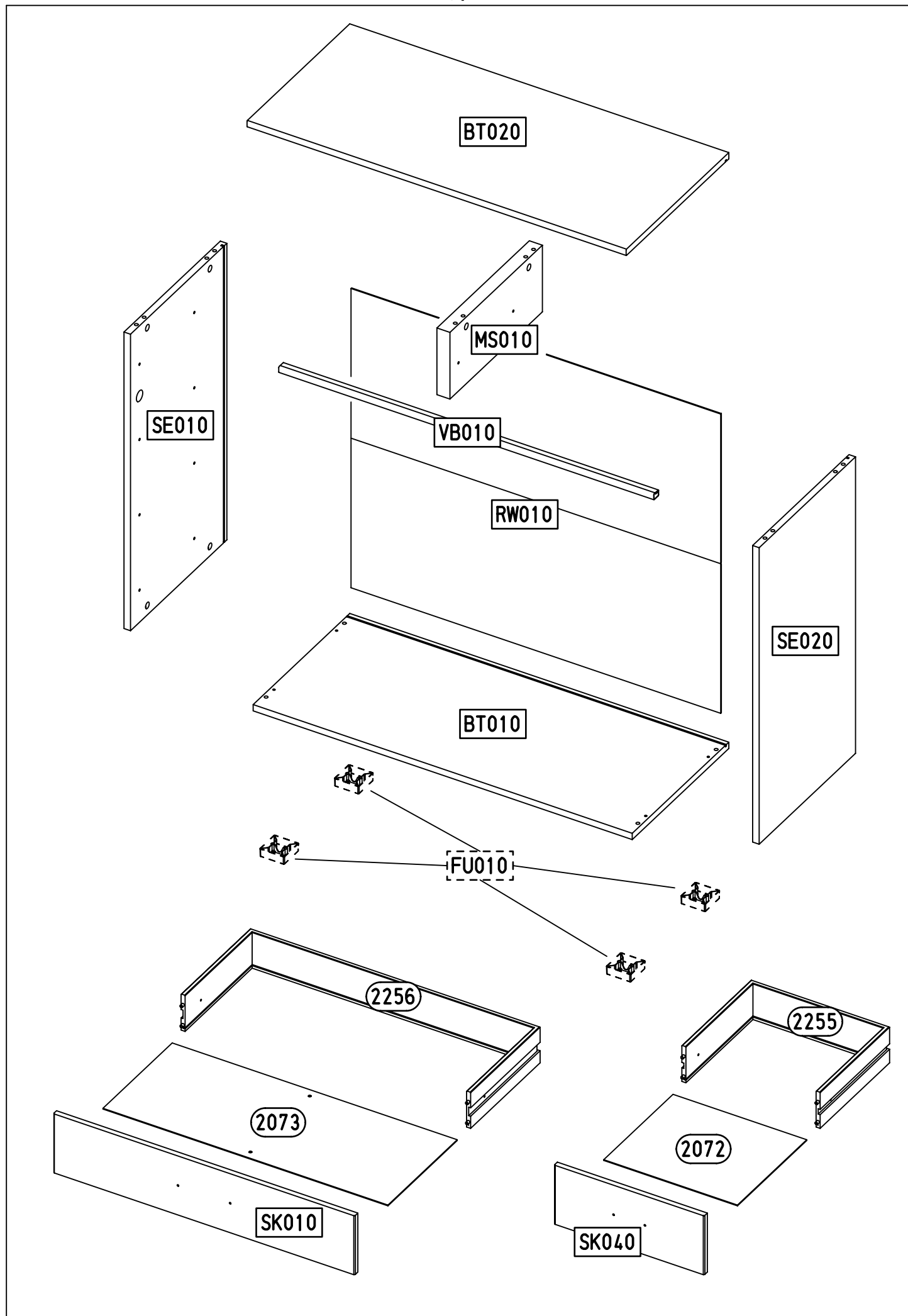
2x



1147

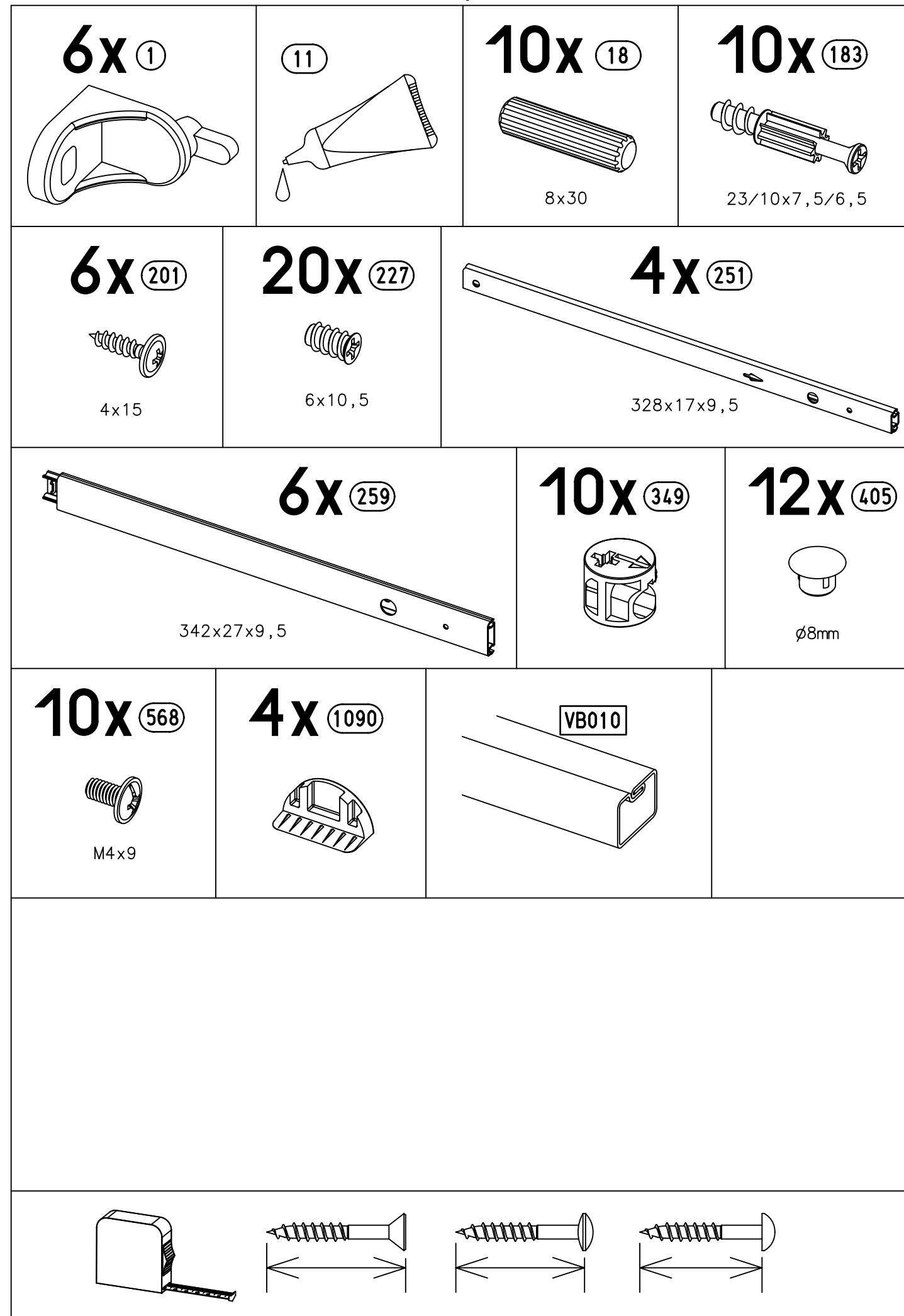


3.



M2109

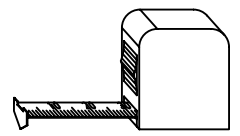
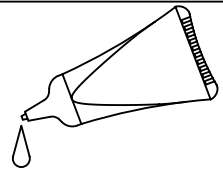
4.



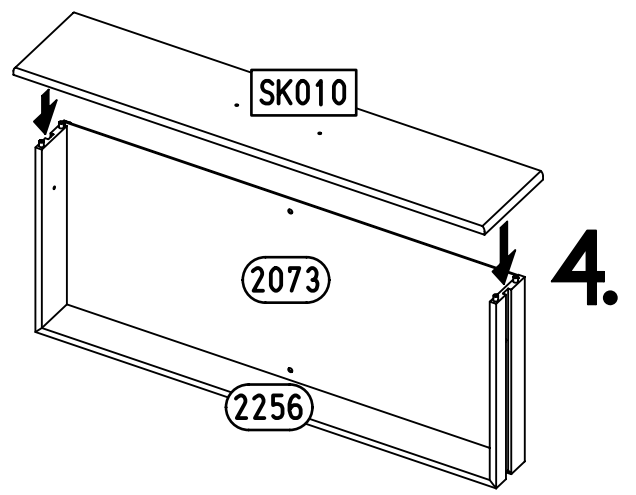
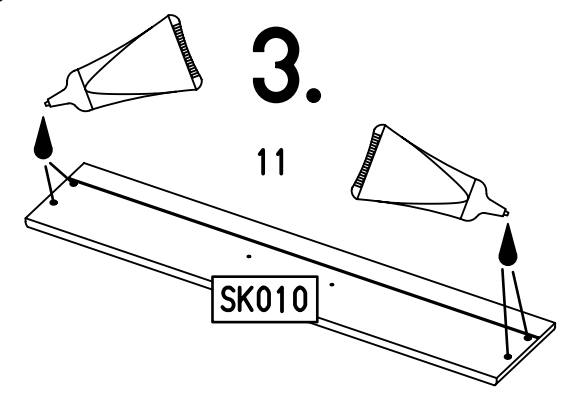
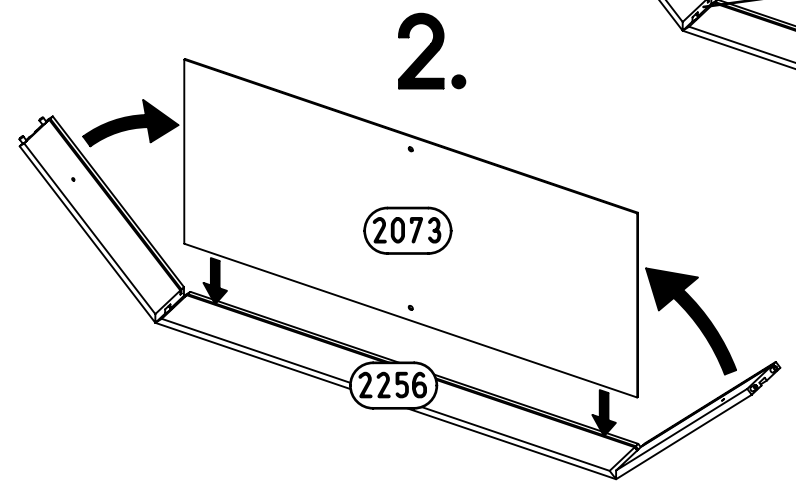
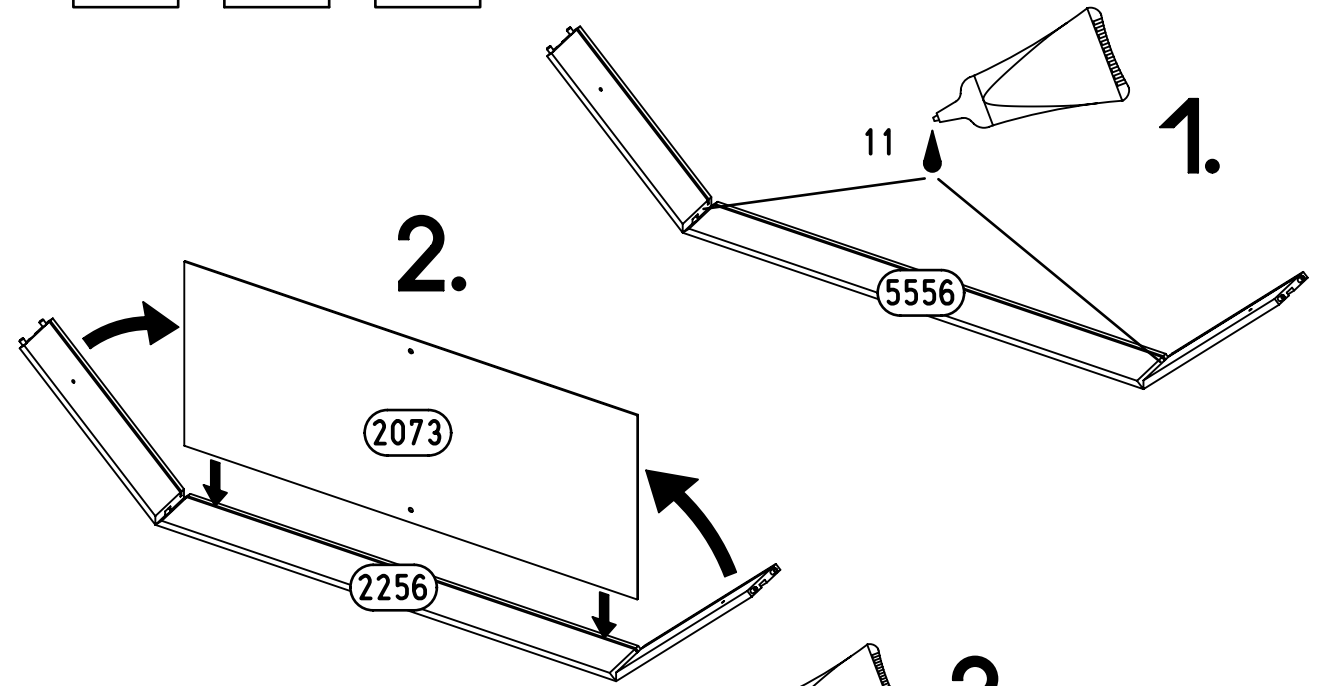
M2109

1

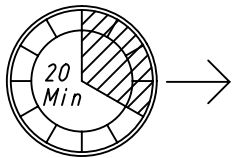
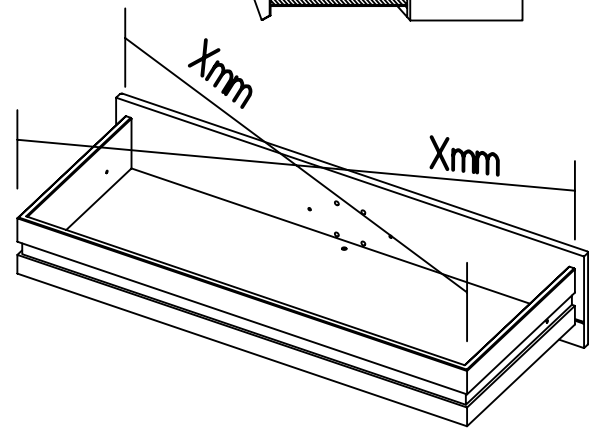
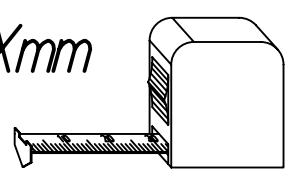
11



SK010 = SK020 = SK030

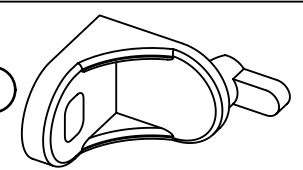


Xmm = Xmm

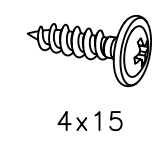


2

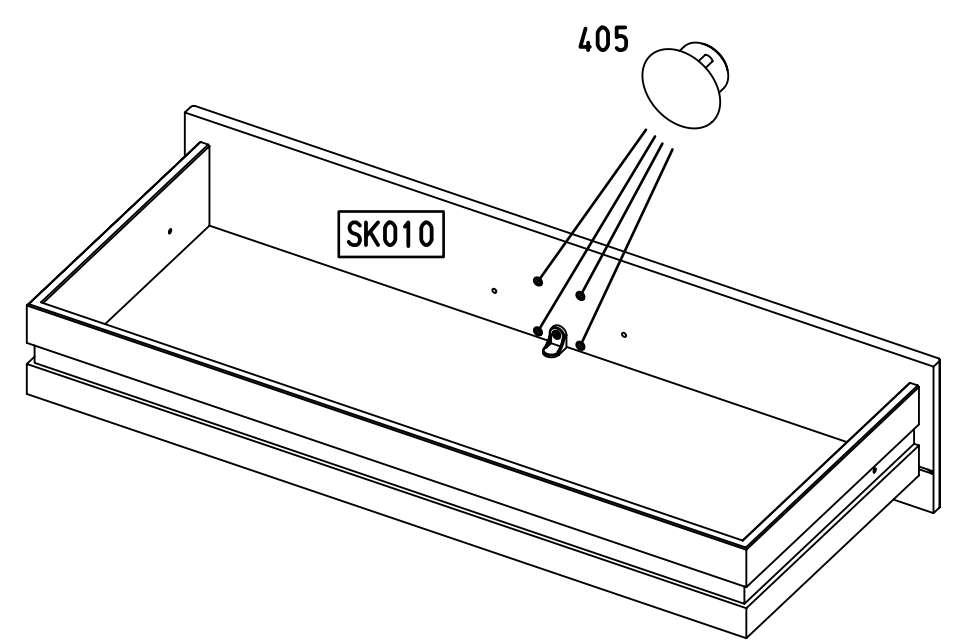
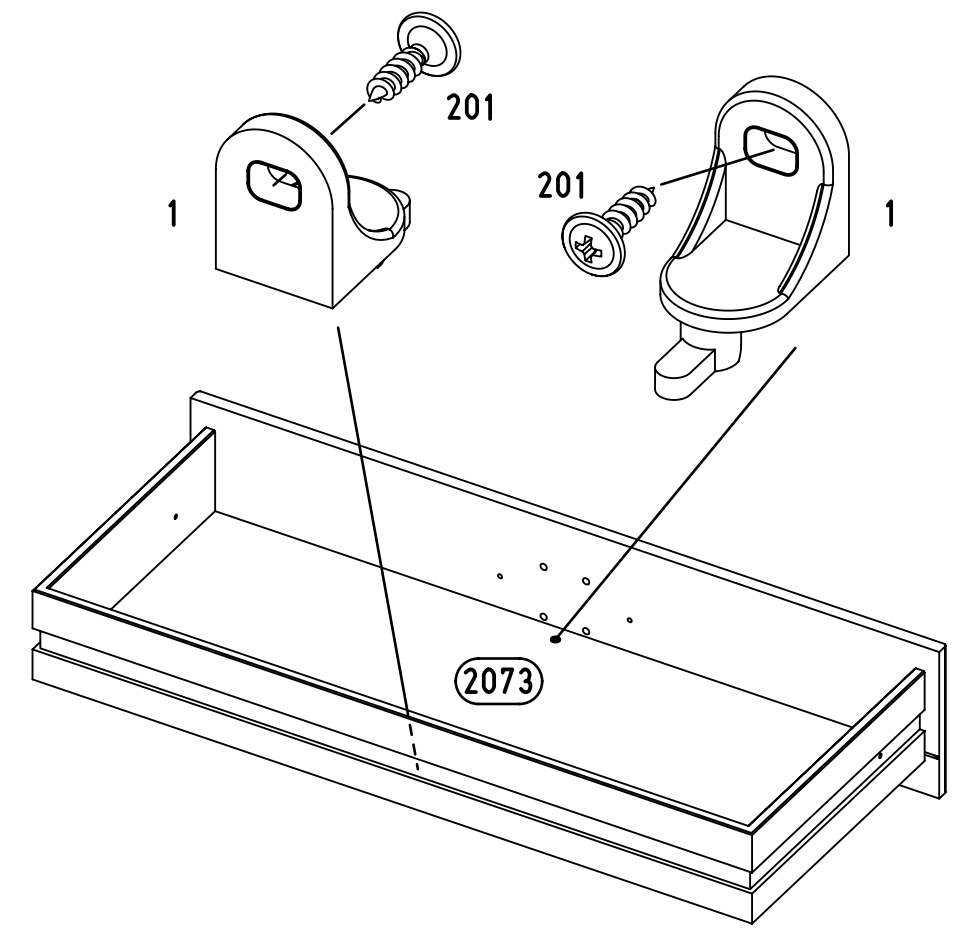
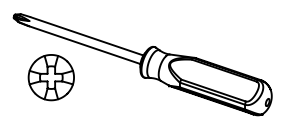
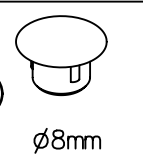
6x 1



6x 201

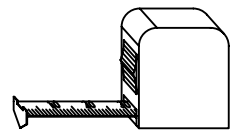
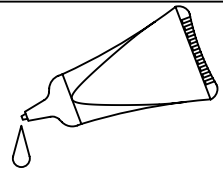


12x 405

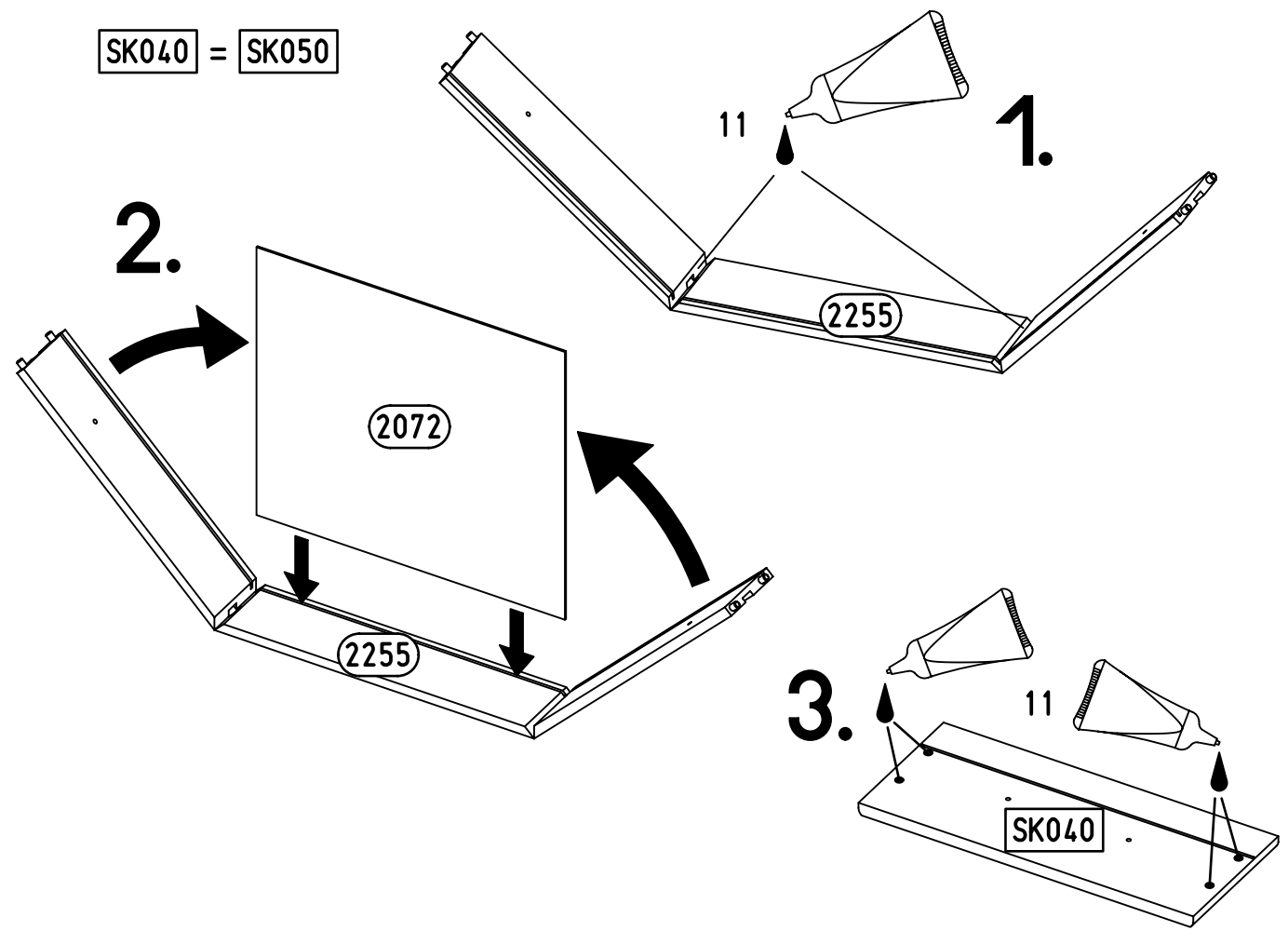


3

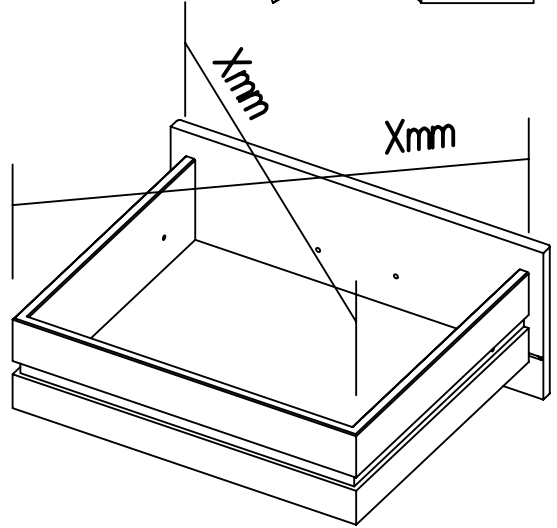
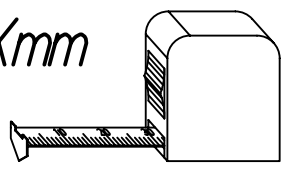
11



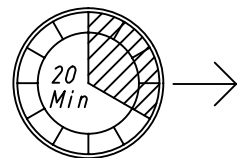
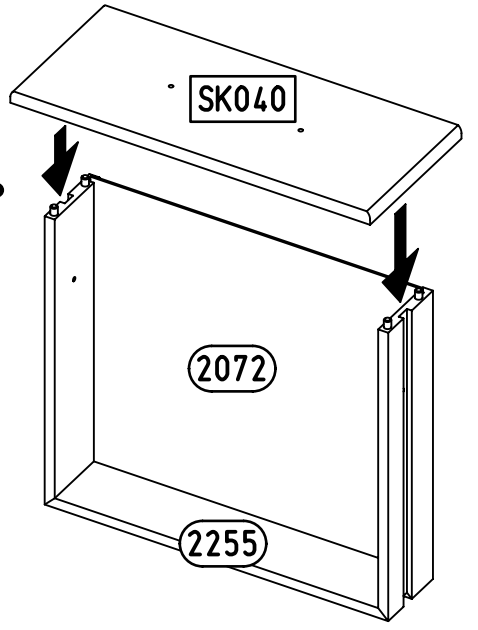
SK040 = SK050



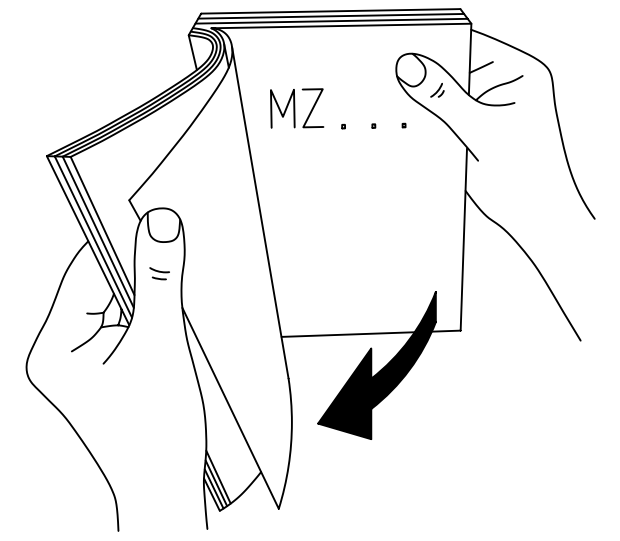
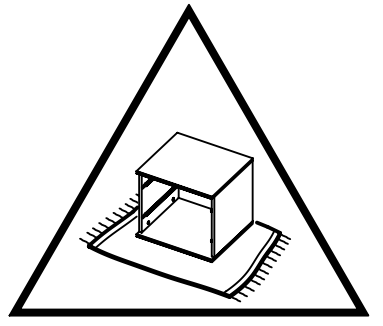
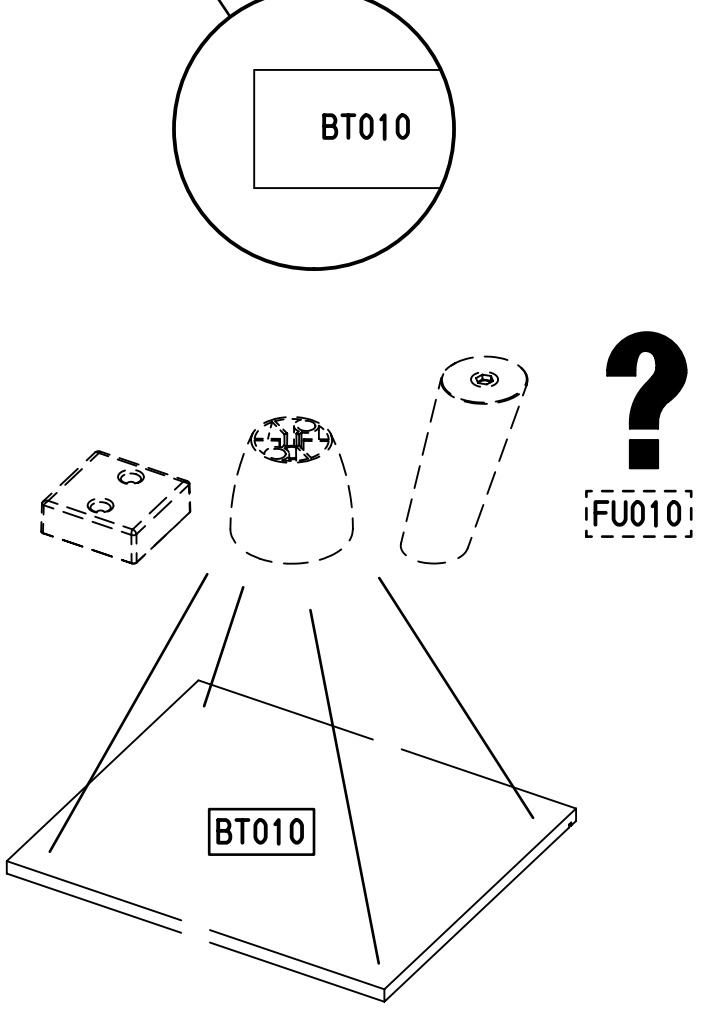
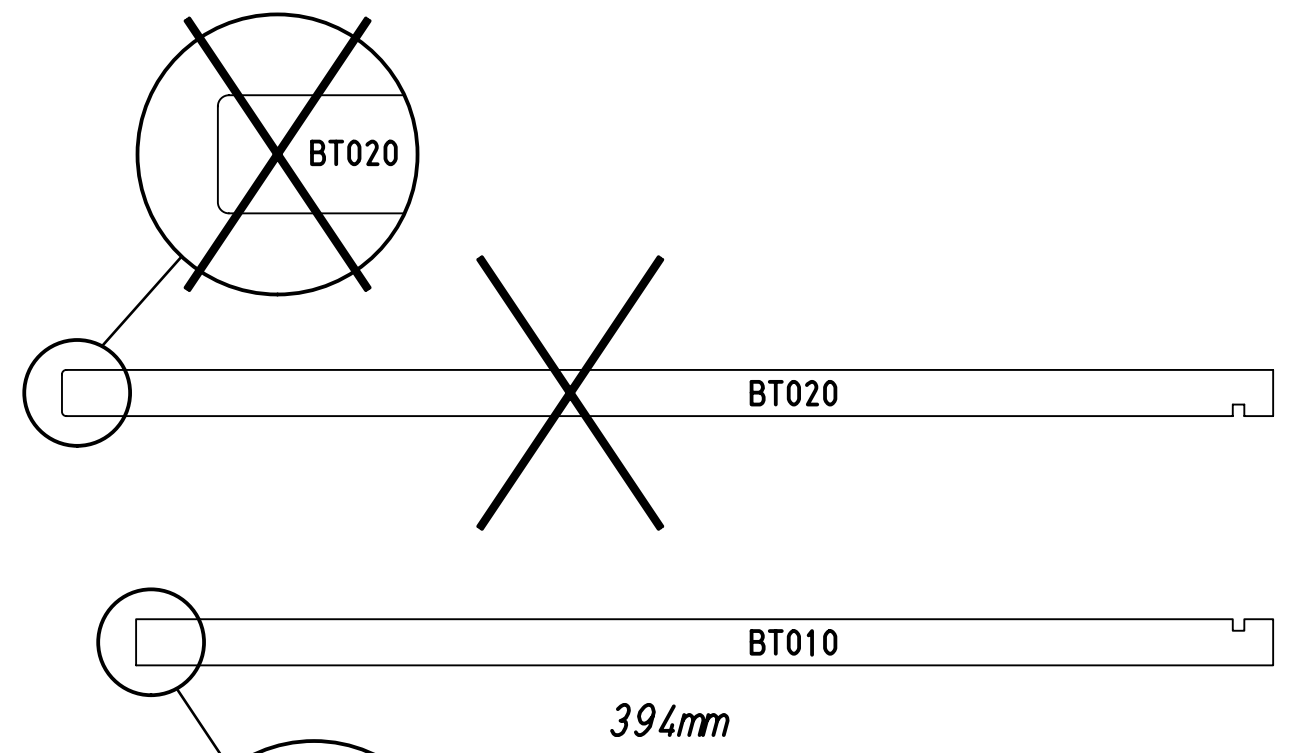
Xmm = Xmm



4.

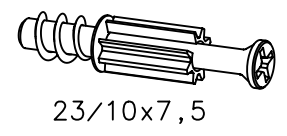


4

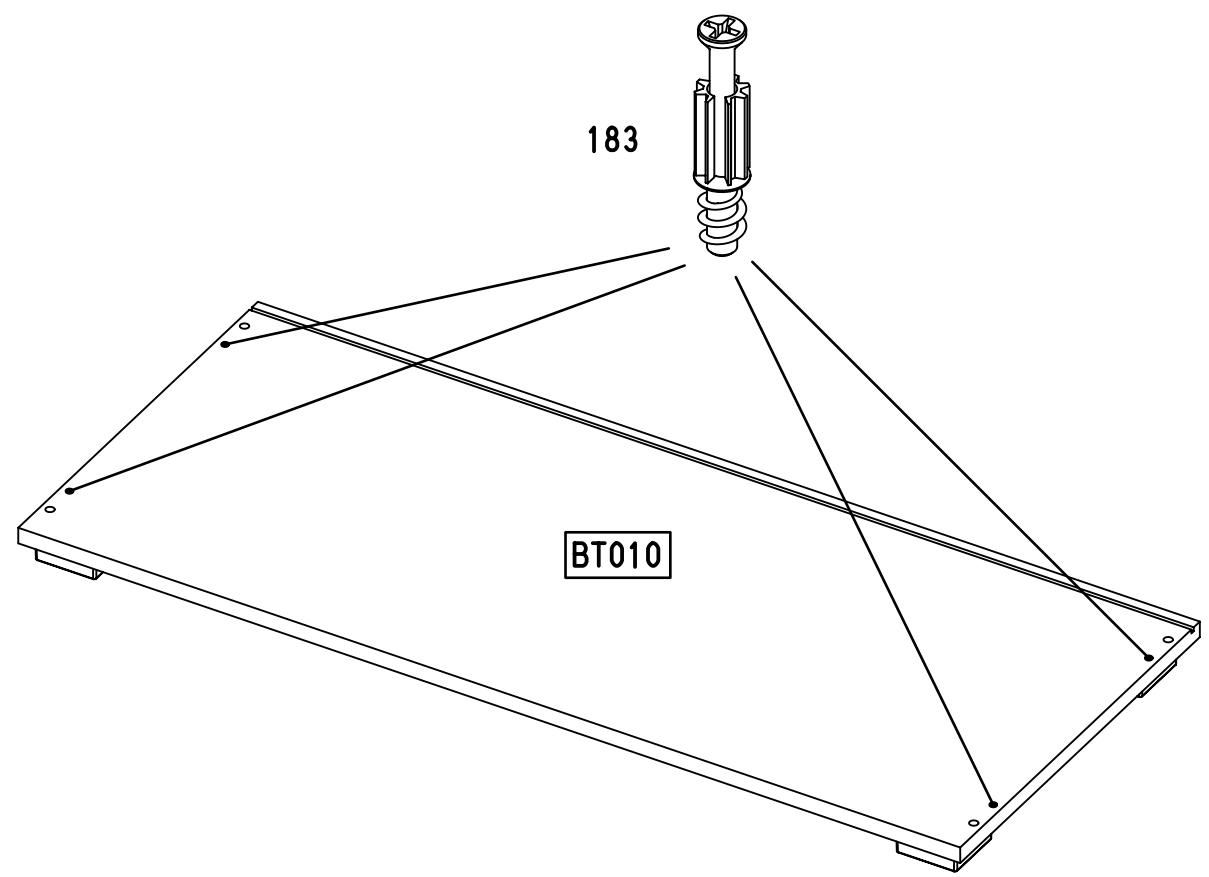
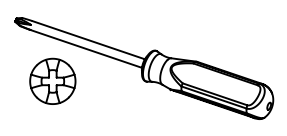


5

4x 183



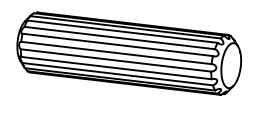
23/10x7,5



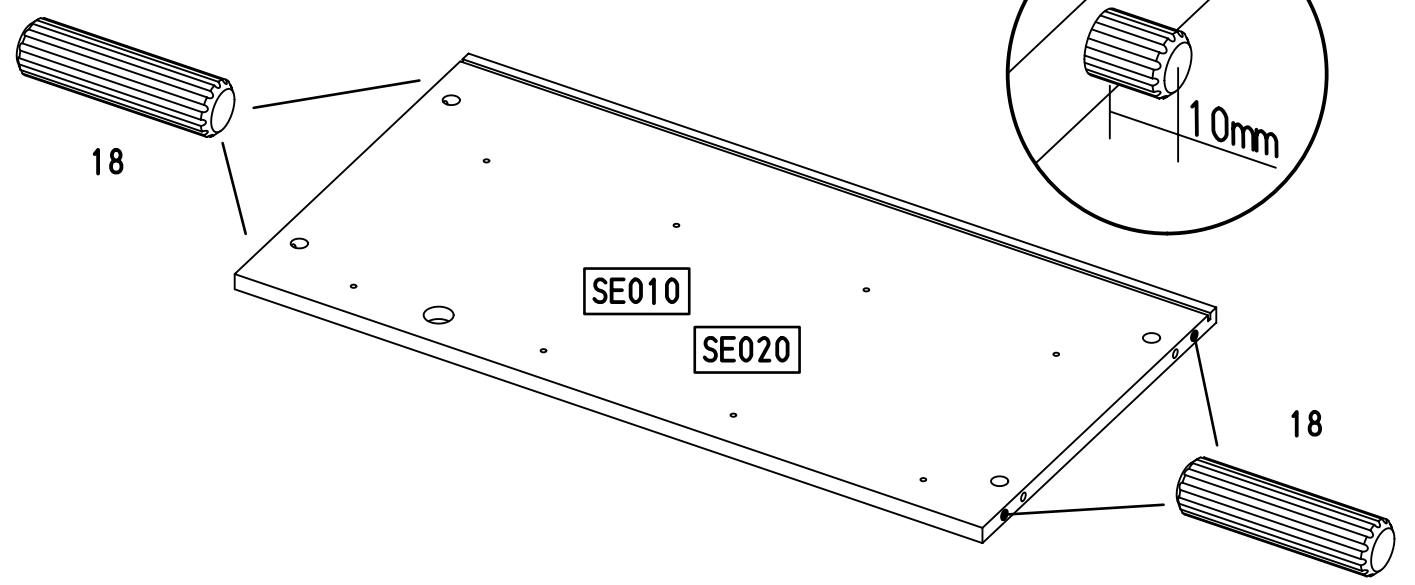
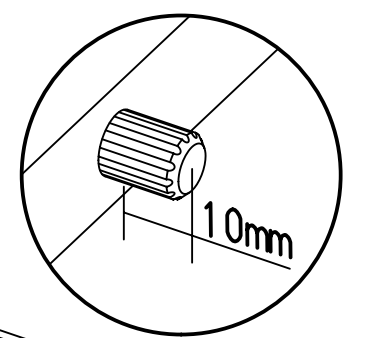
BT010

6

8x 18



8x30

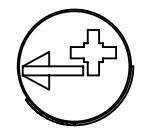
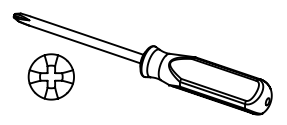
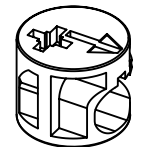


SE010

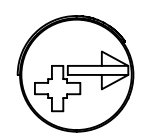
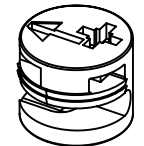
SE020

7

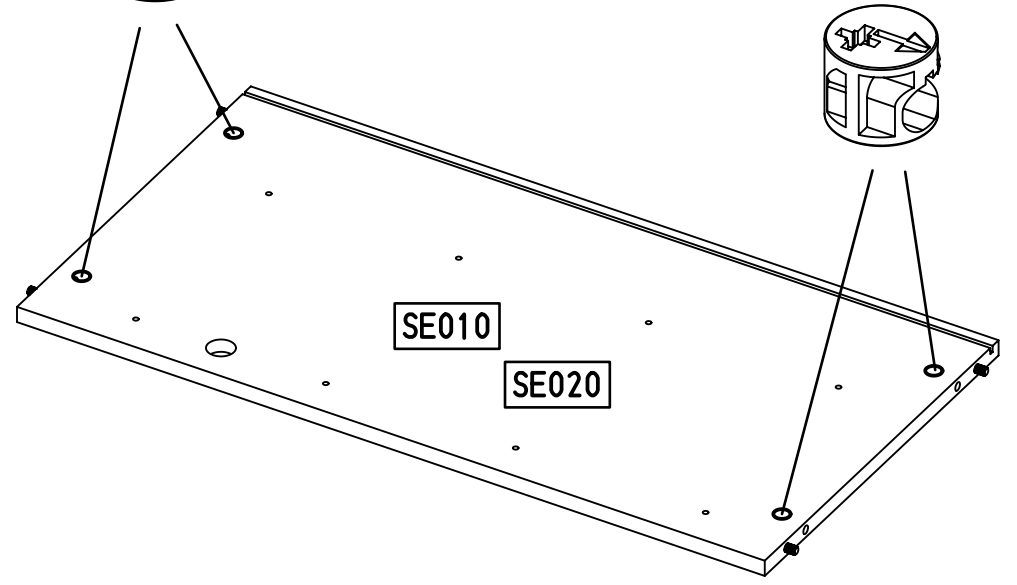
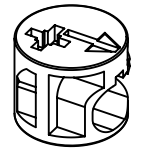
8x 349



349



349



SE010

SE020

11.

8

1x 251

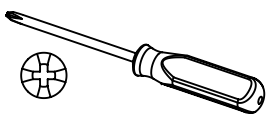


328x17x9,5

2x 227



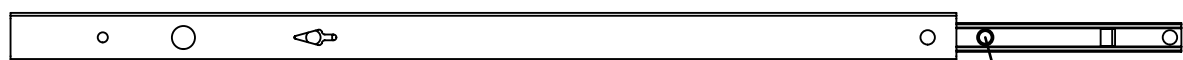
6x10,5



1.



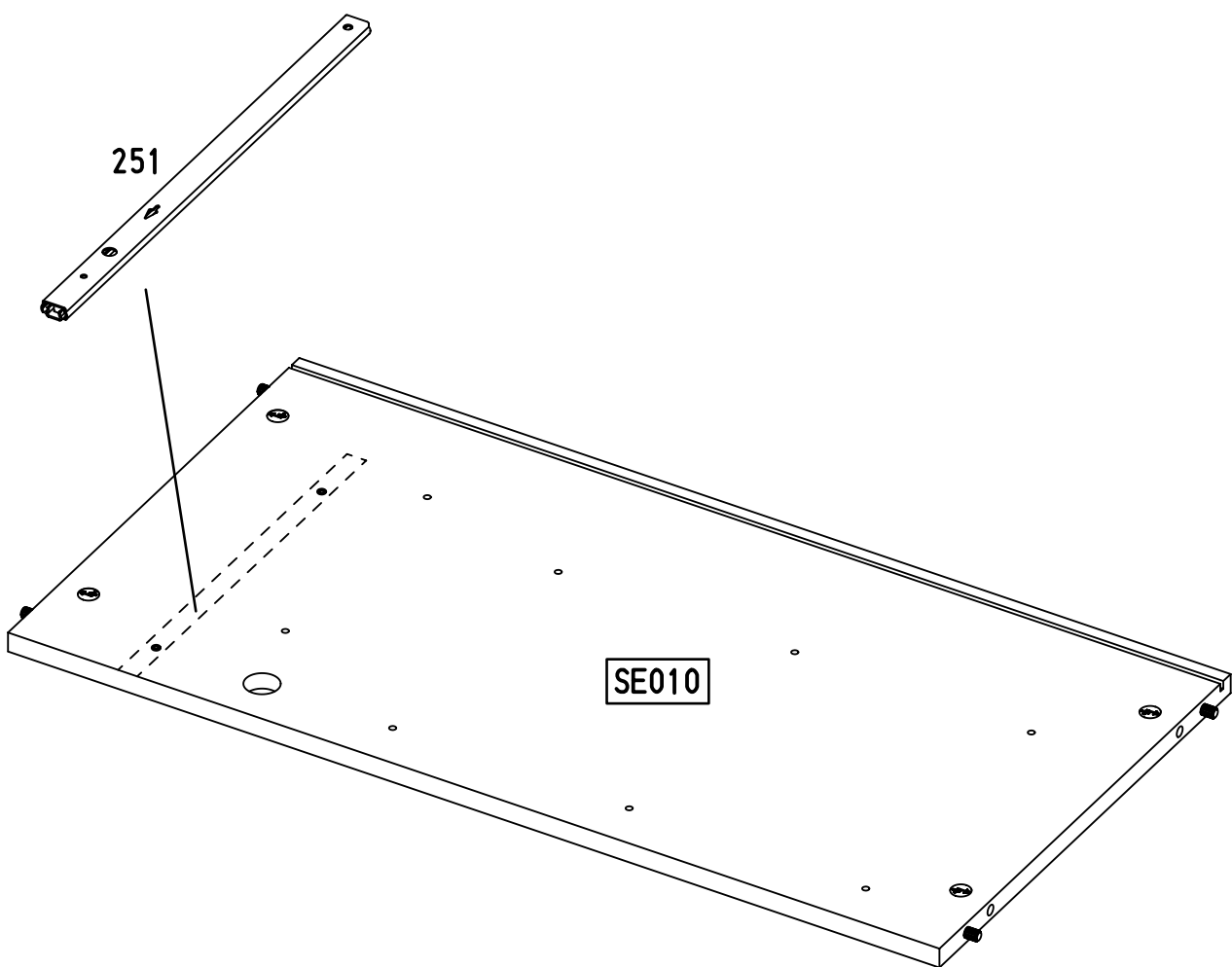
227



227



2.



SE010

12.

9

3x 259

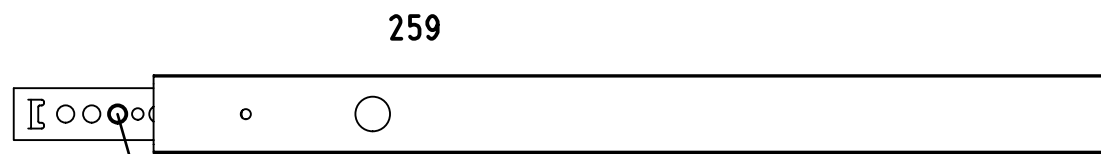
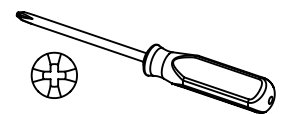


342x27x9,5

6x 227



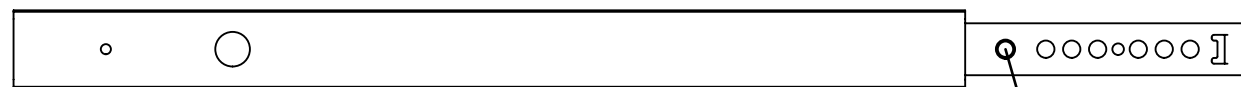
6x10,5



1.



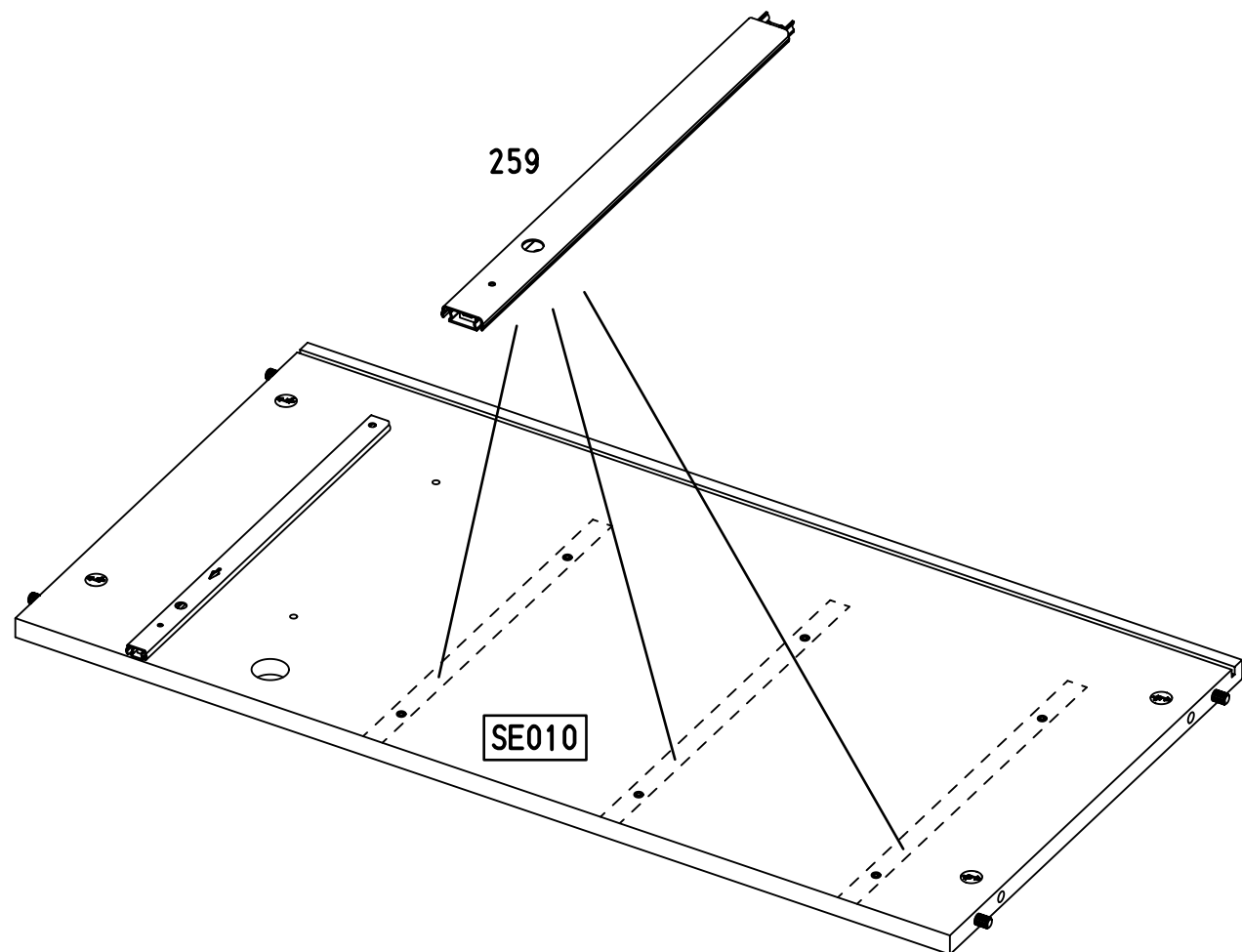
227



227



2.



SE010

13.

10

1x 251

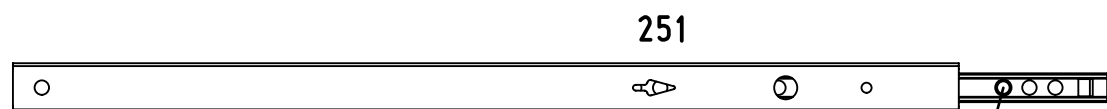
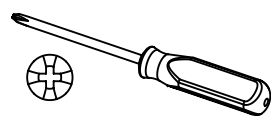


328x17x9,5

2x 227

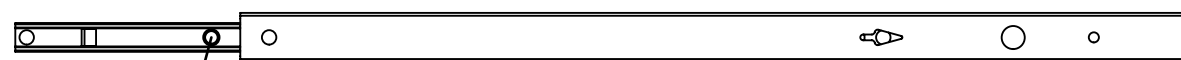


6x10,5

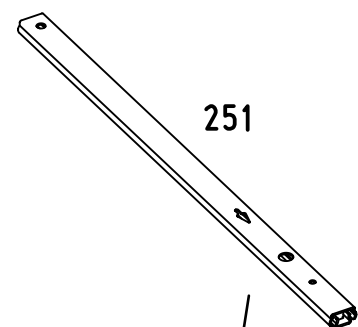


251

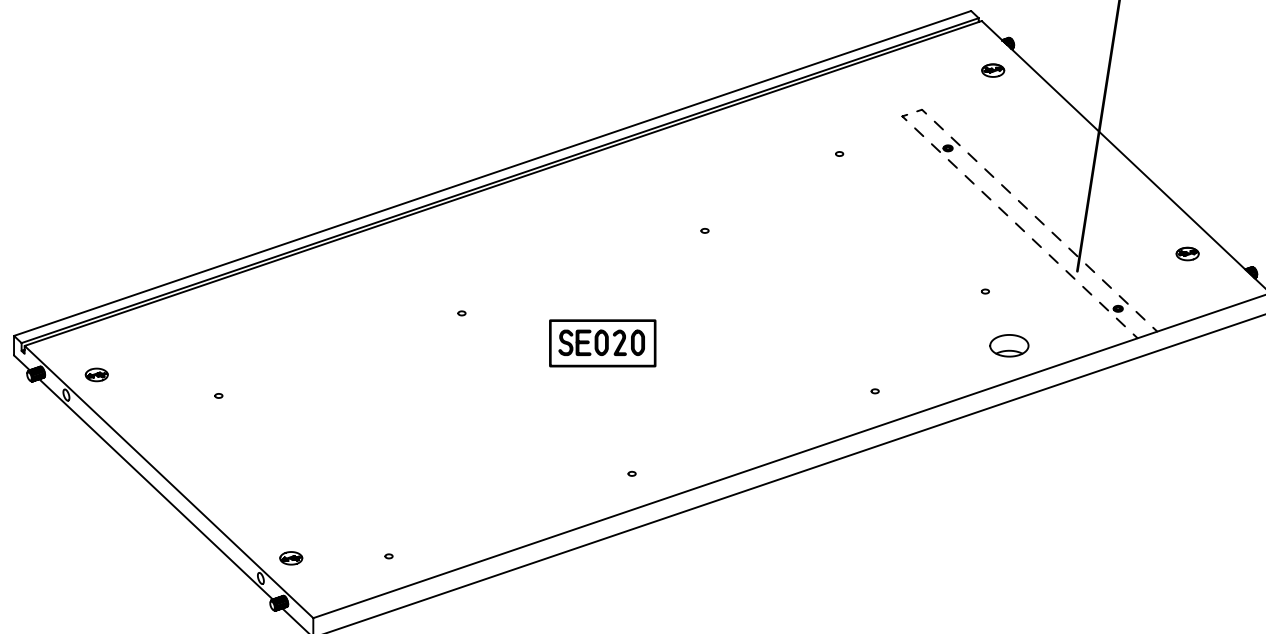
227 1.



2. 227



251



SE020

14.

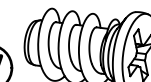
11

3x 259

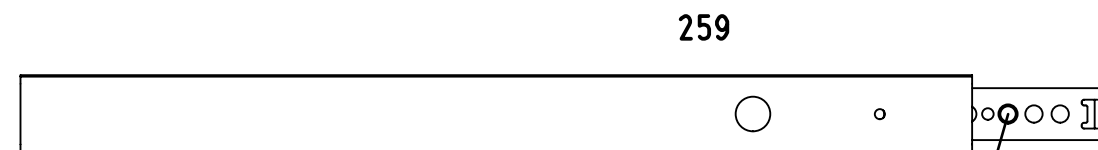
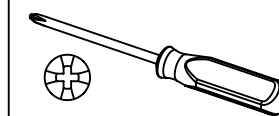


342x27x9,5

6x 227

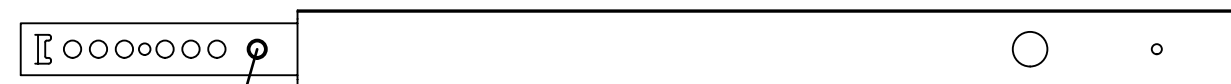


6x10,5

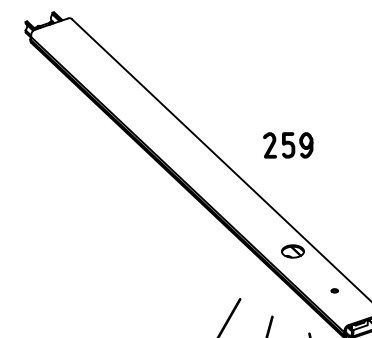


259

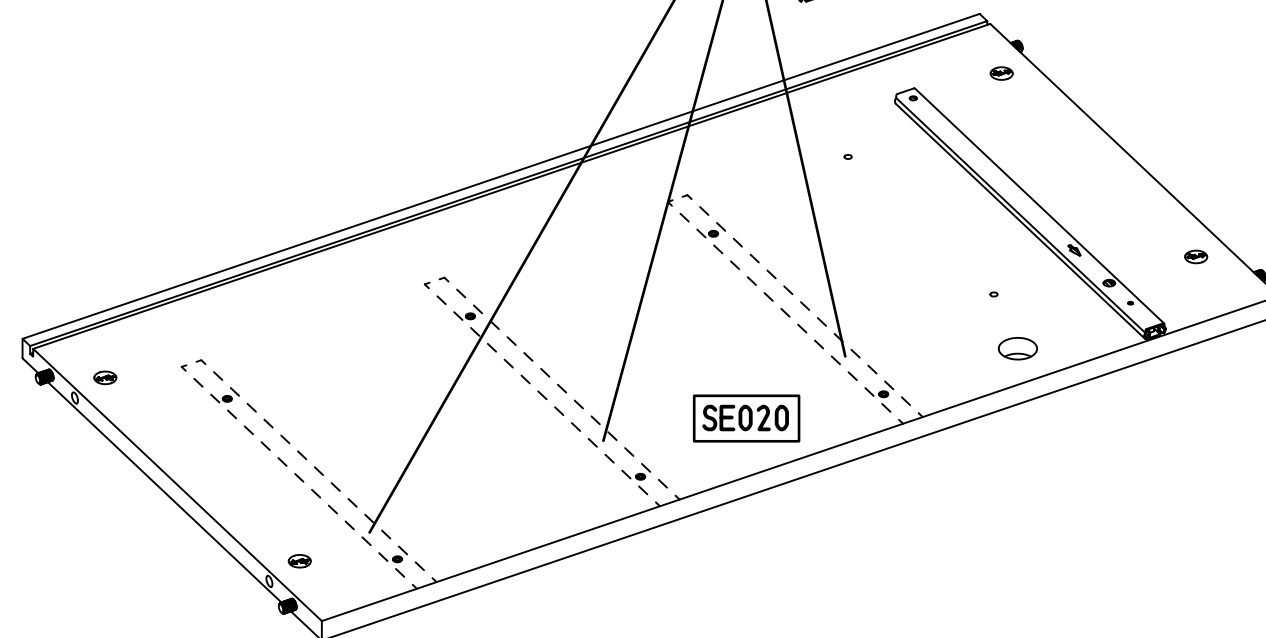
227 1.



2. 227

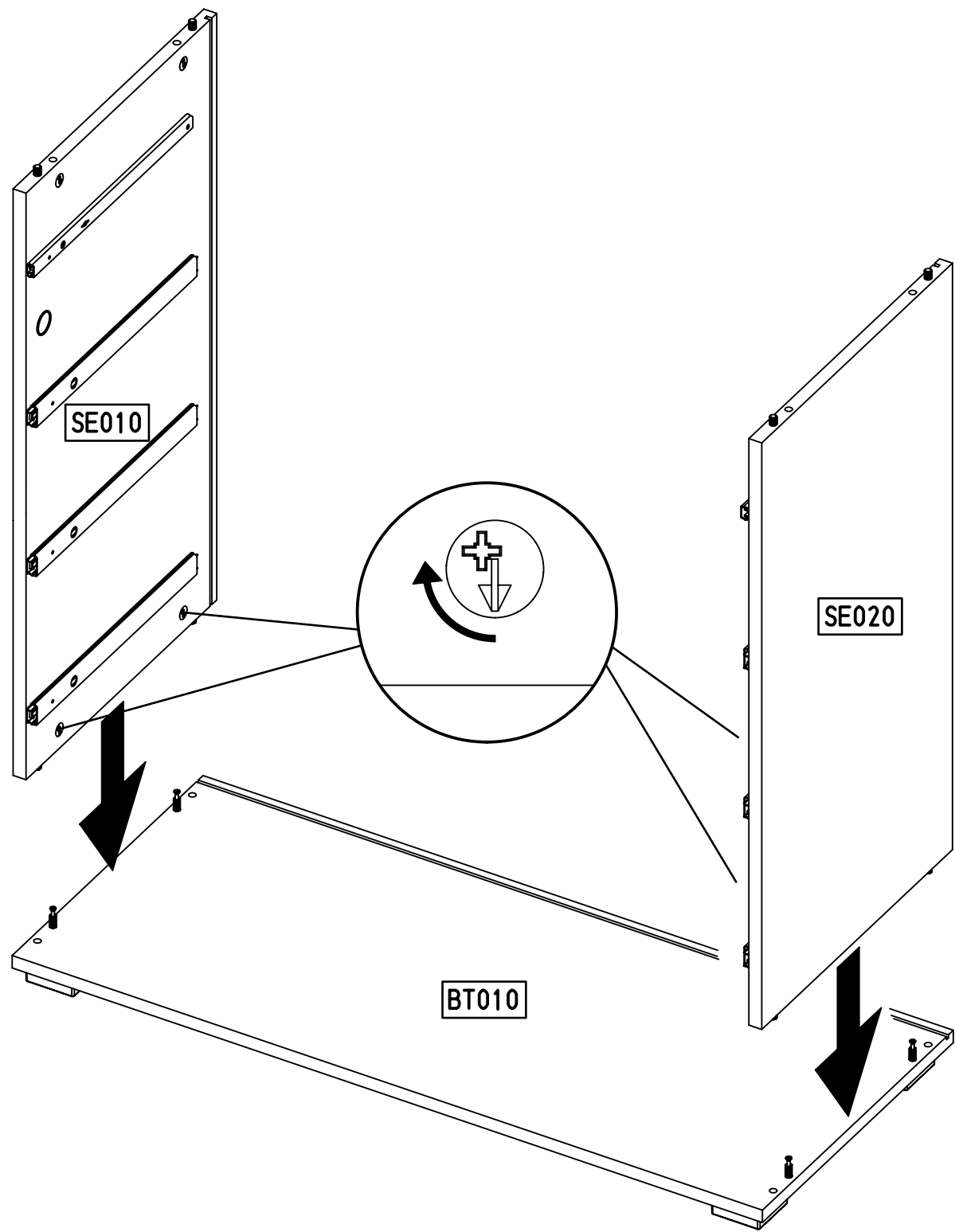
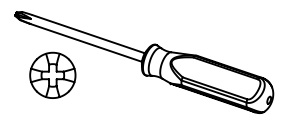


259

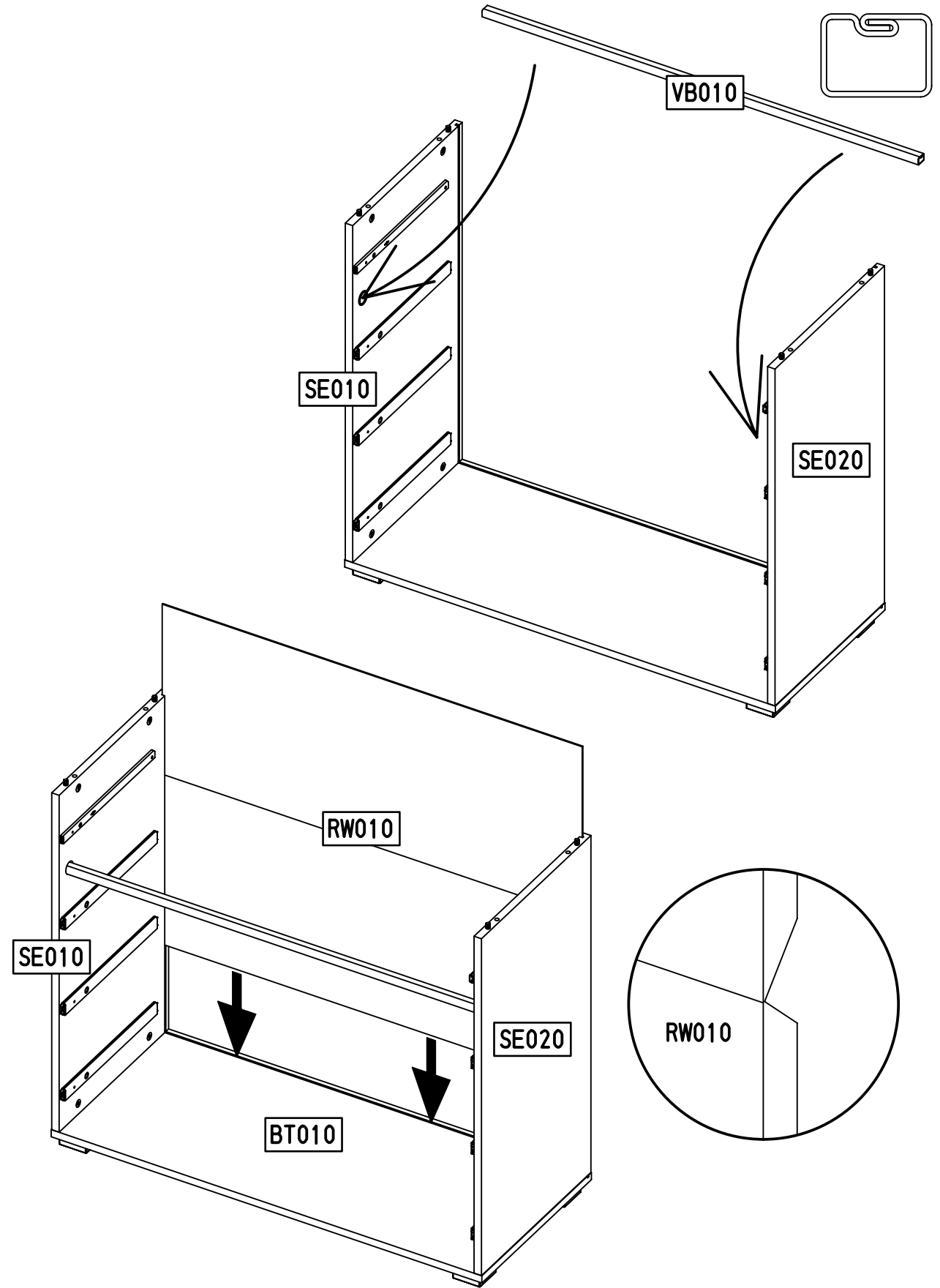


SE020

12



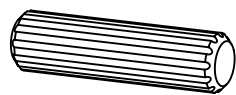
13



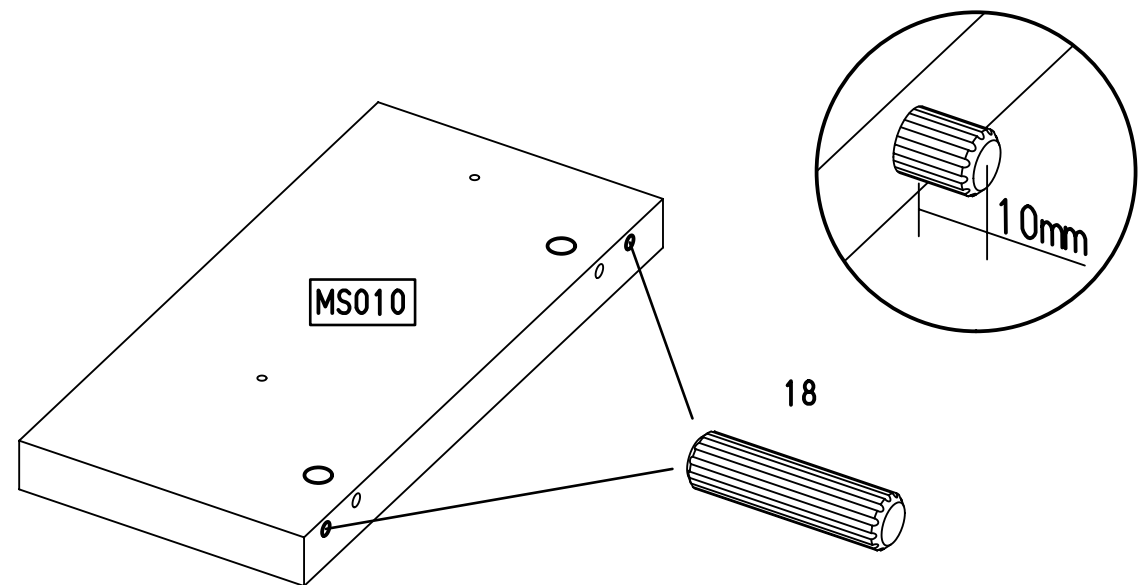
17.

14

2x 18

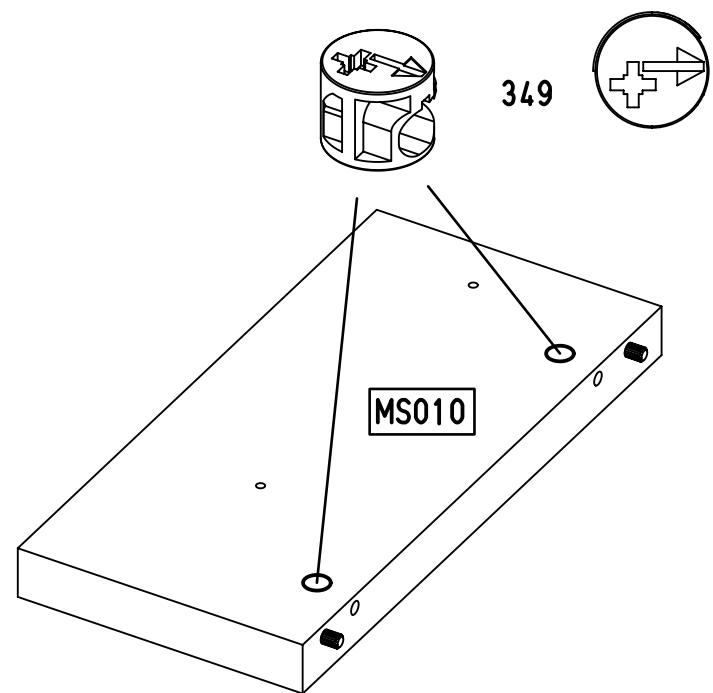
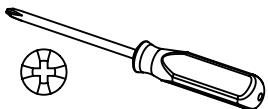
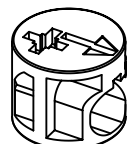


8x30



15

2x 349



M2109

18.

16

2x 251

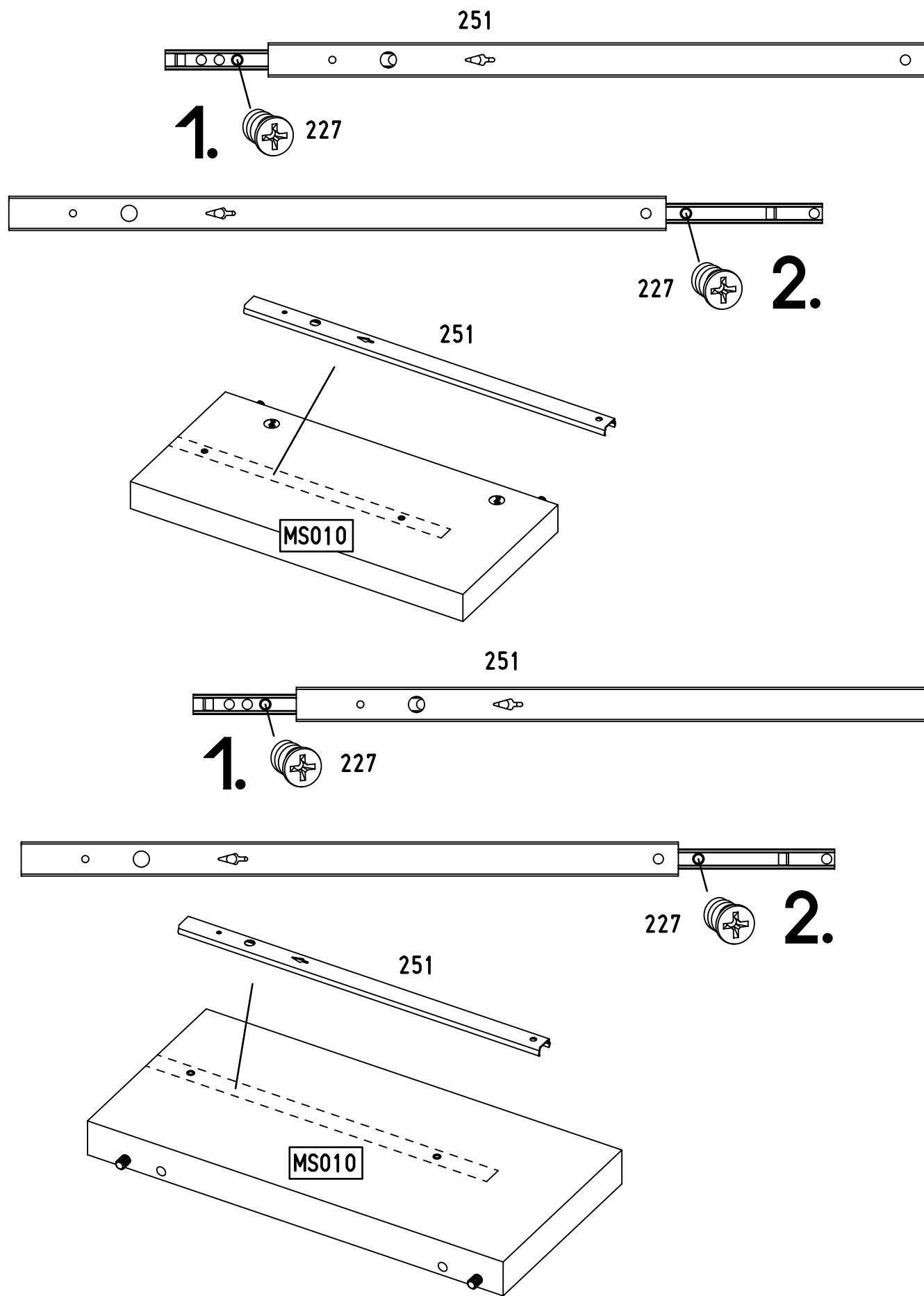
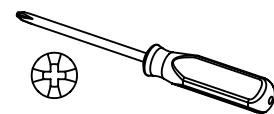


328x17x9,5

4x 227



6x10,5

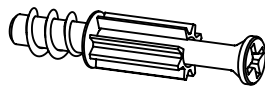


M2109

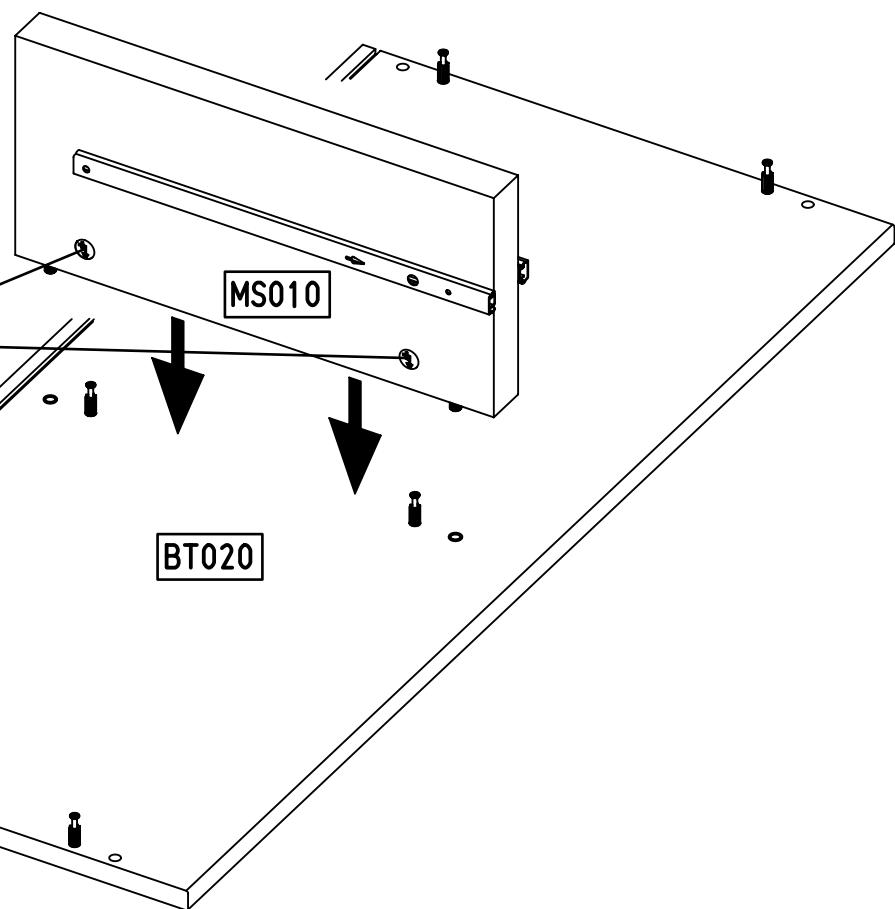
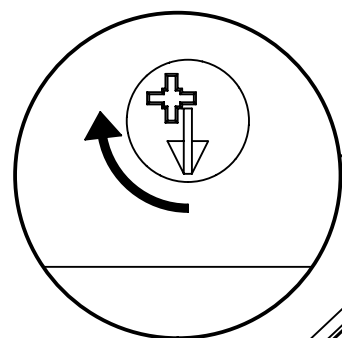
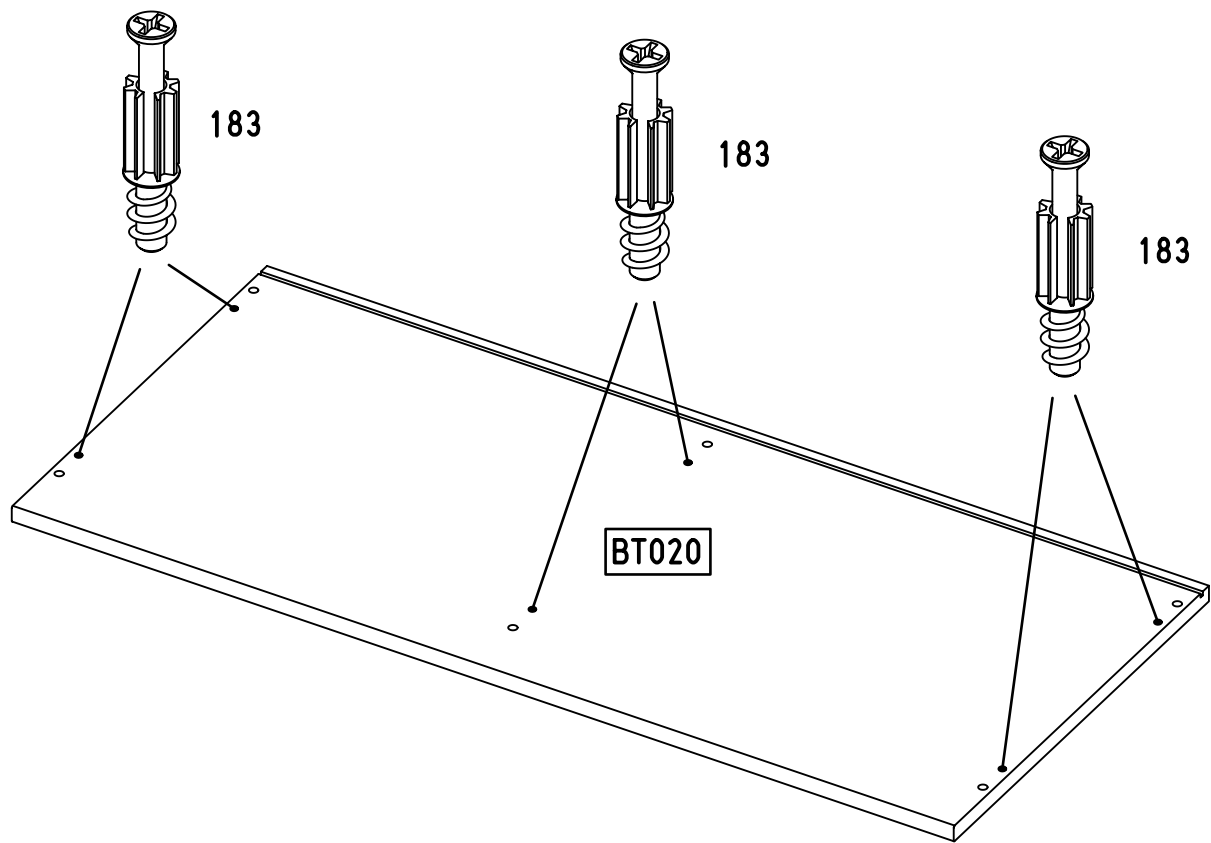
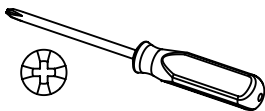
17

6x

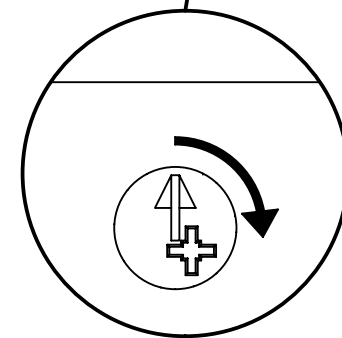
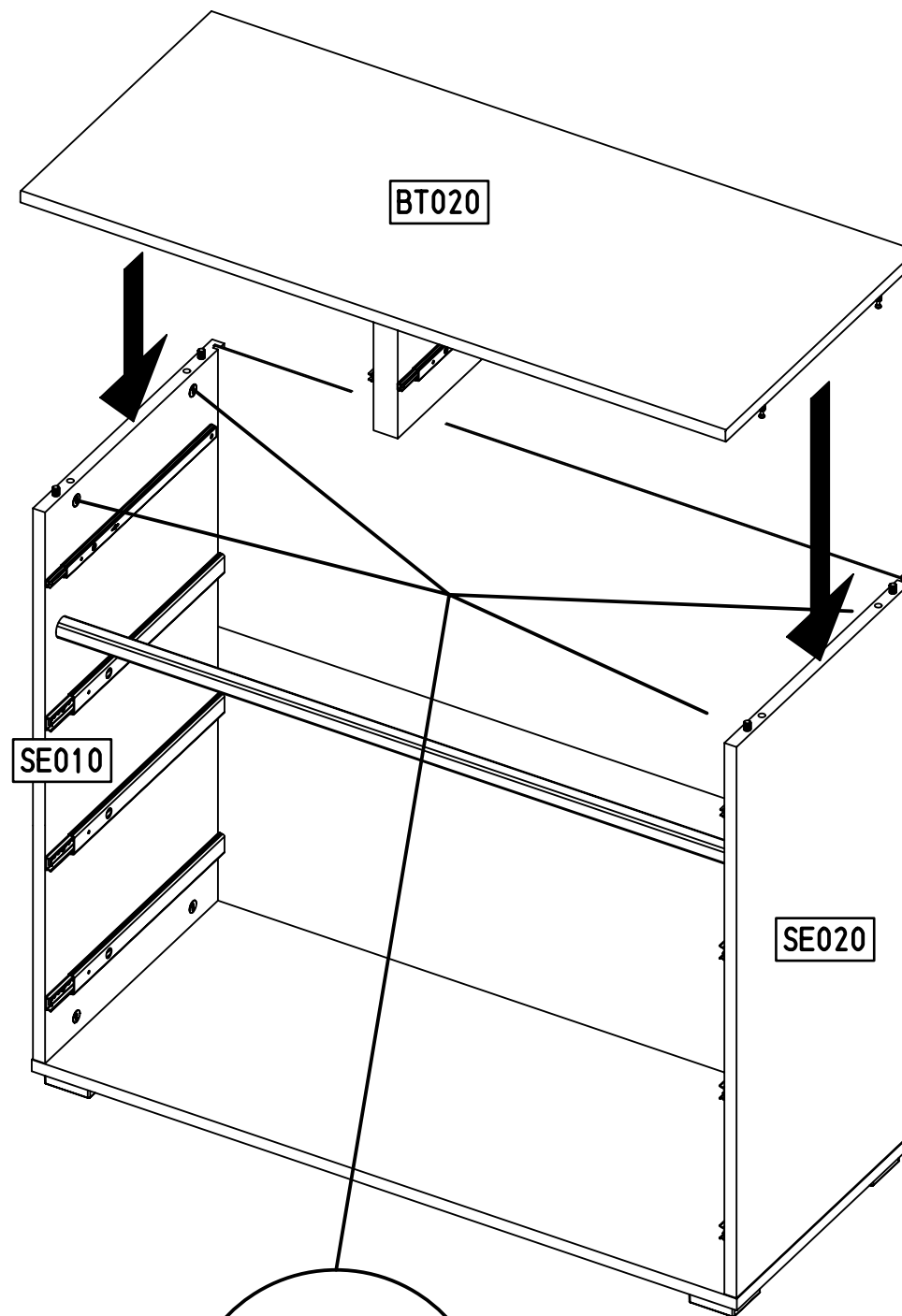
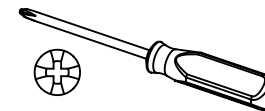
183



23/10x7,5

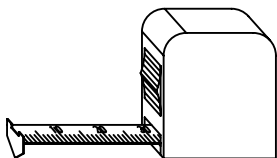
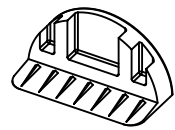


18

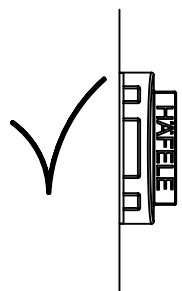
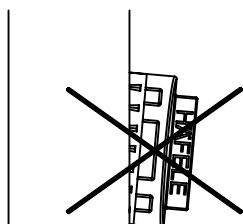
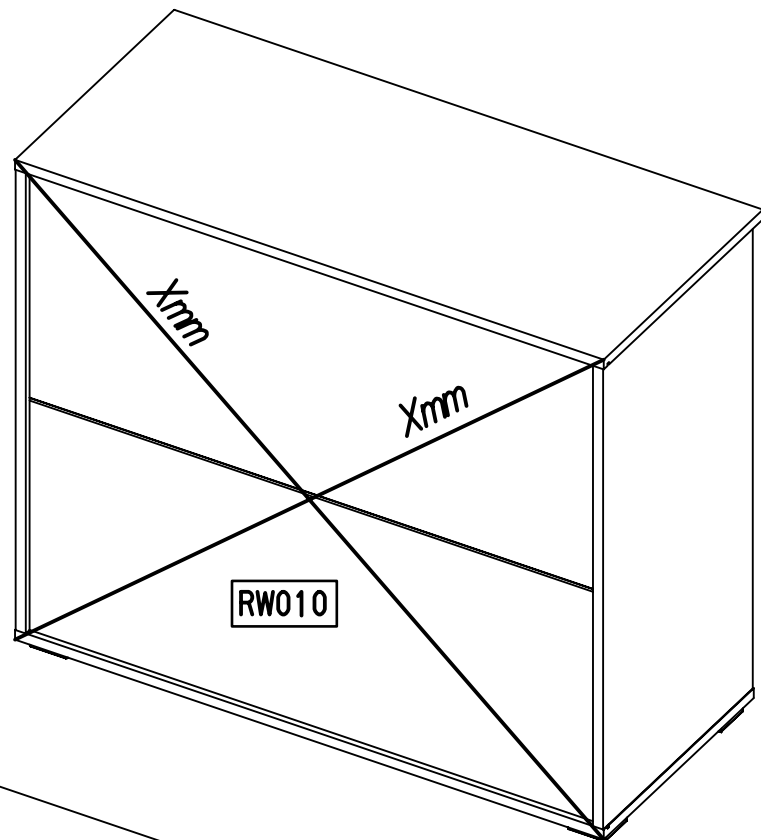
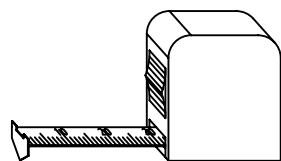


19

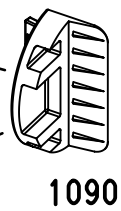
2x 1090



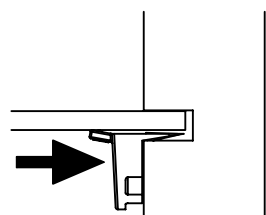
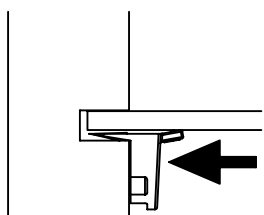
Xmm = Xmm



RW010

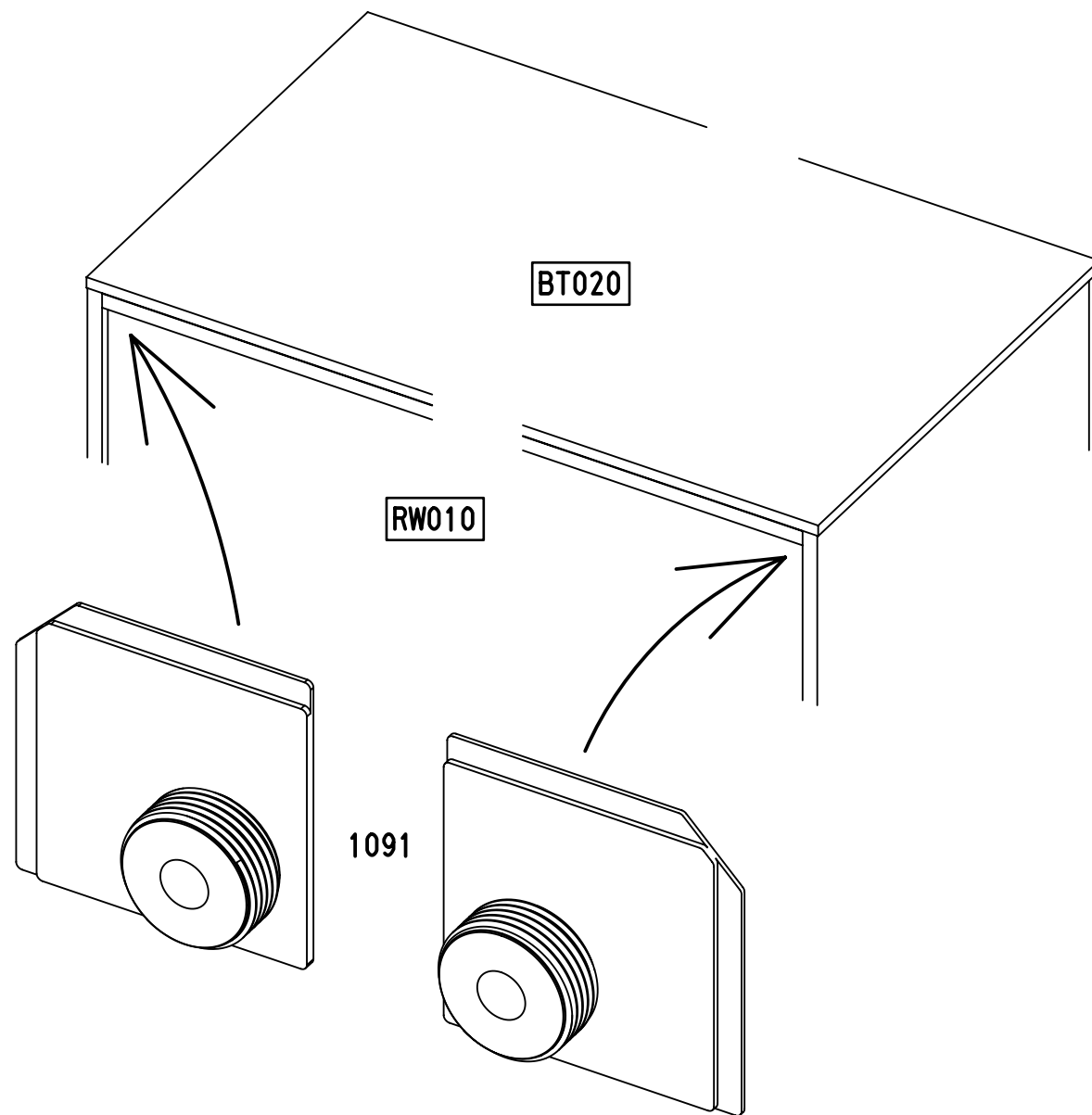
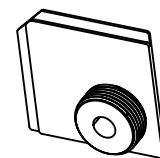


1090



20

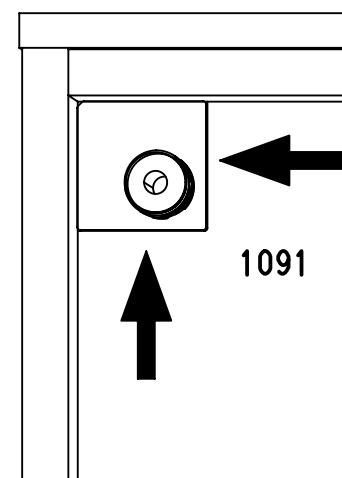
2x 1091



BT020

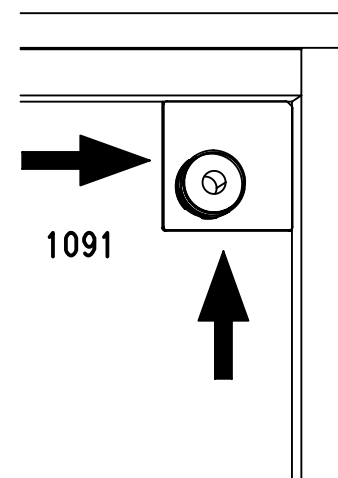
RW010

1091



1091

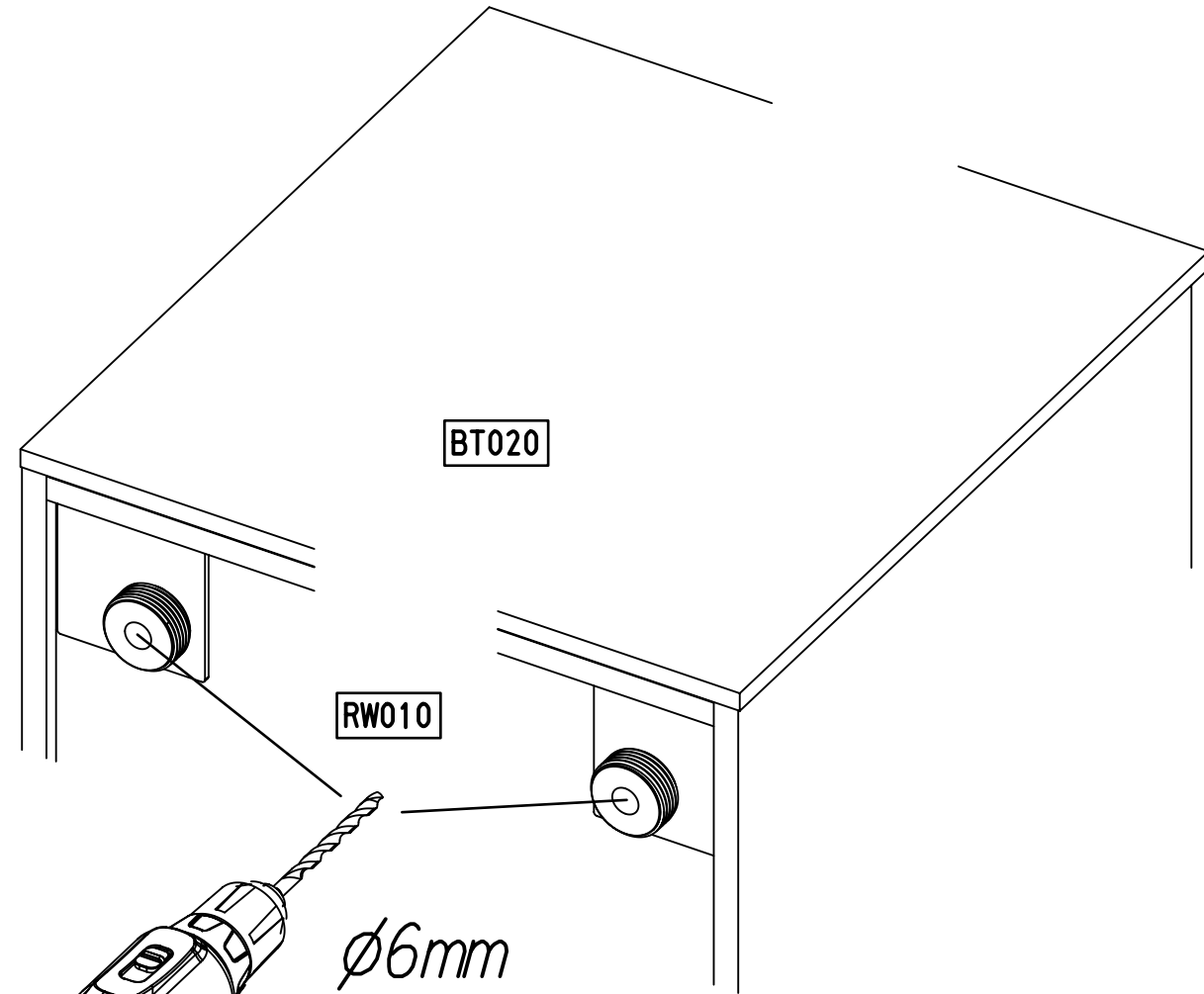
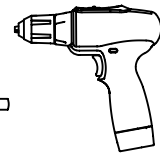
RW010



1091

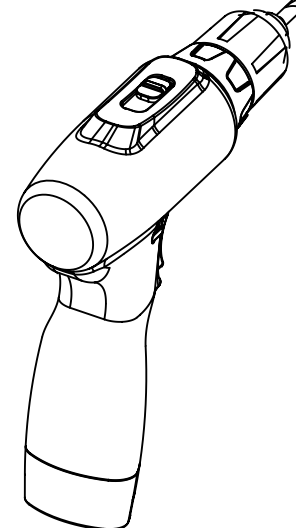
21

∅6mm



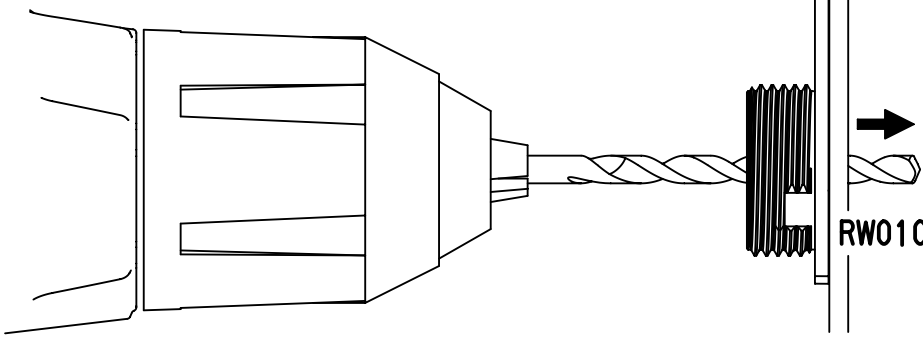
RW010

∅6mm

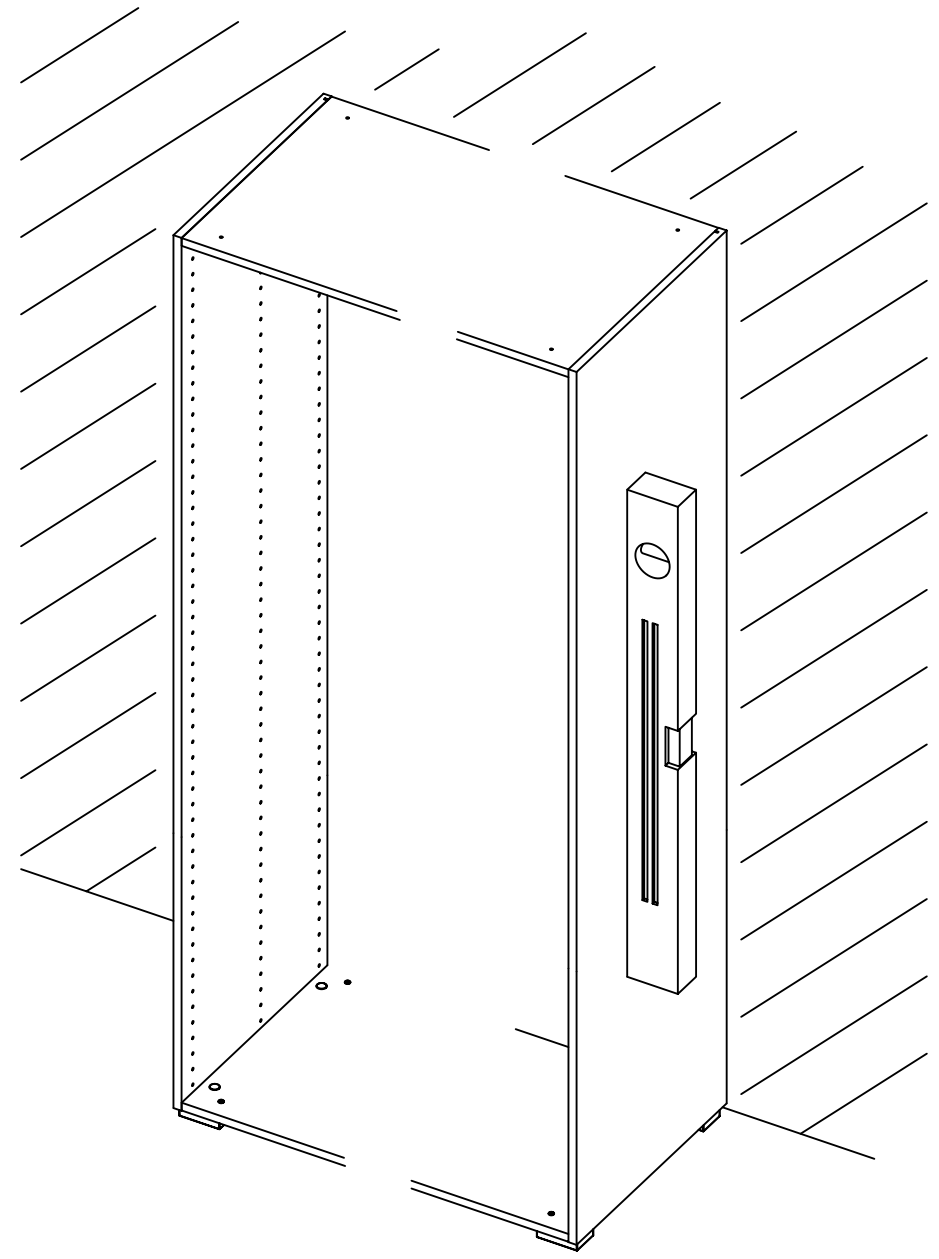
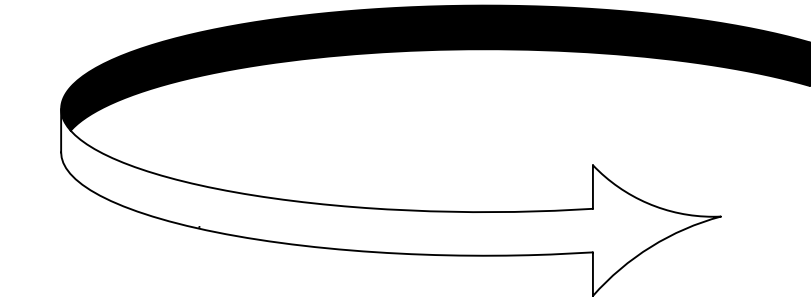
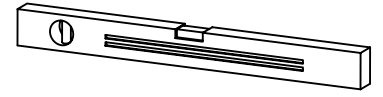


BT020

RW010

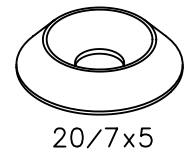


22



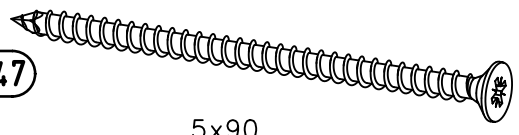
23

2x 1093

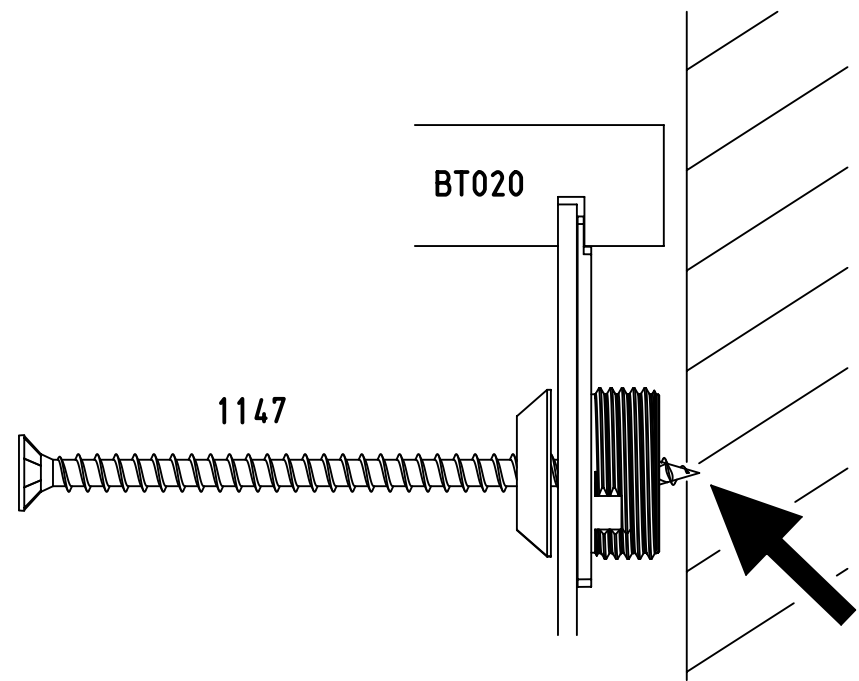
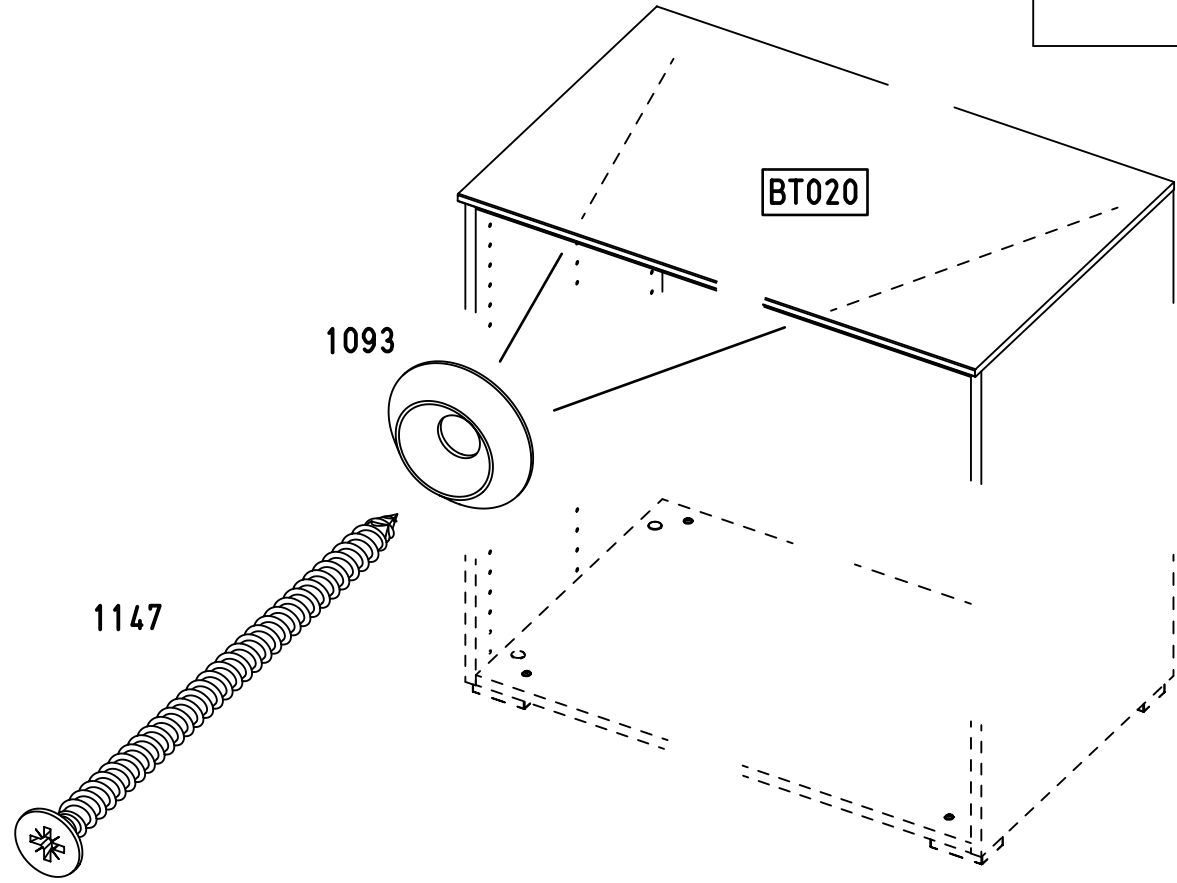
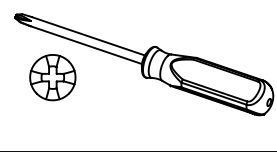


20/7x5

2x 1147

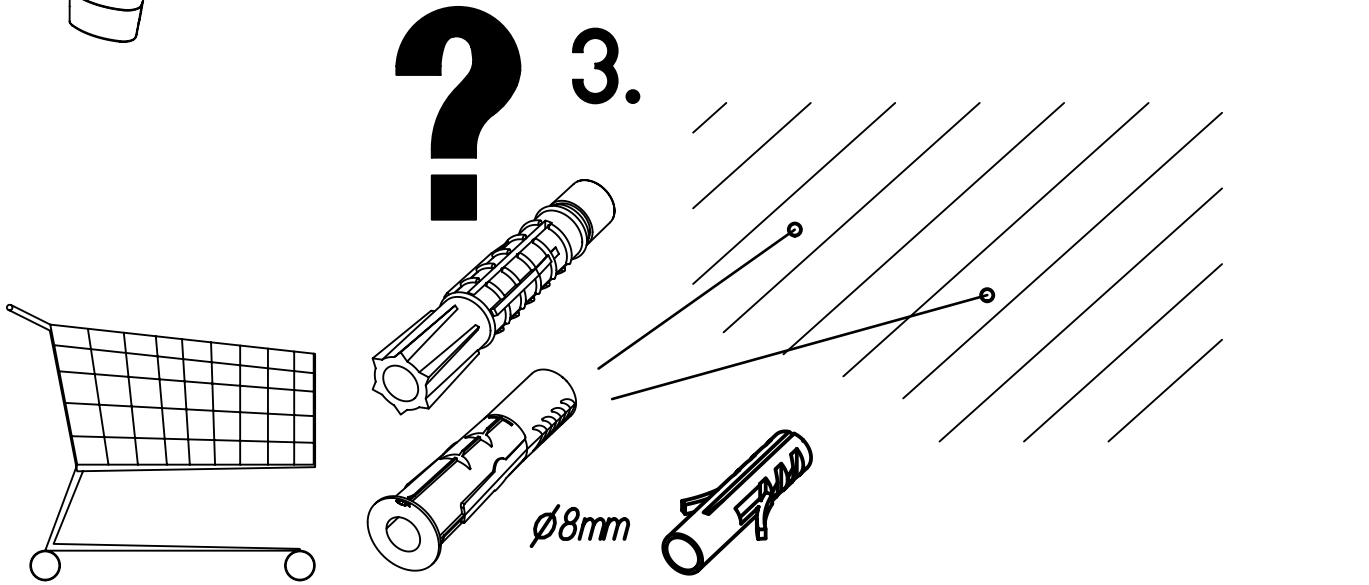
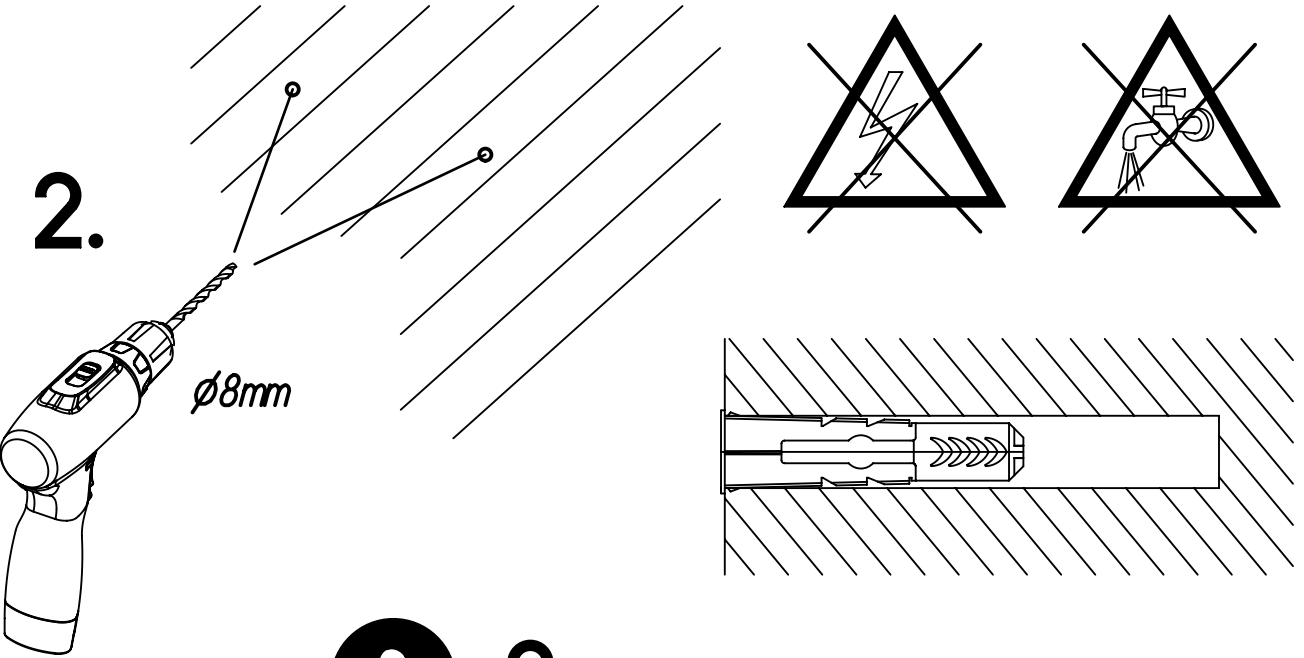
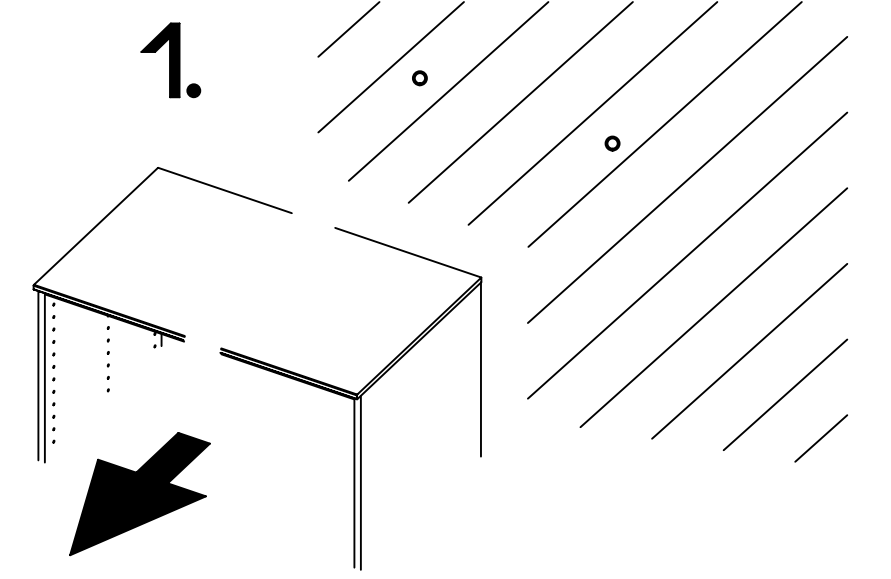
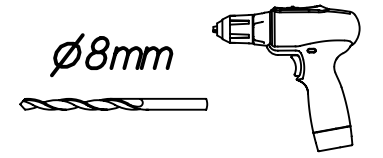


5x90



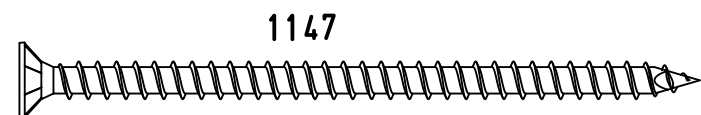
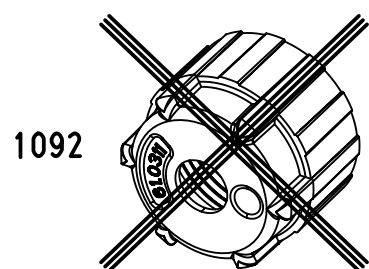
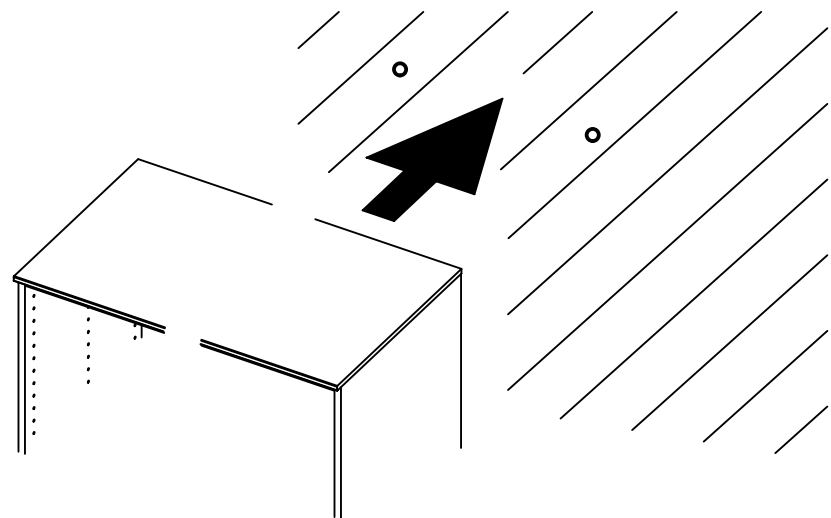
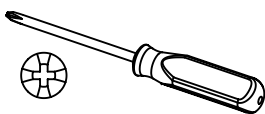
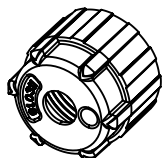
24

ø8mm

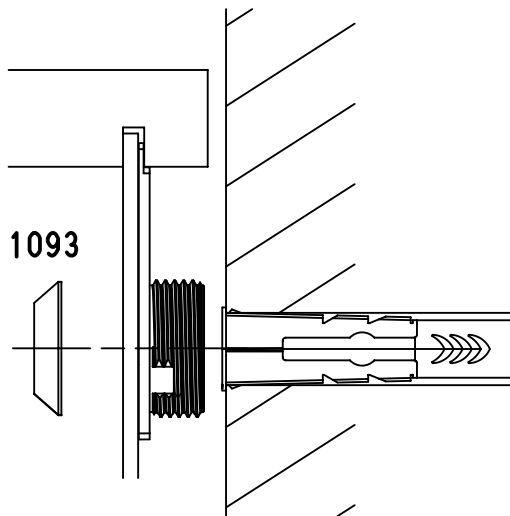


25

2x 1092



1093



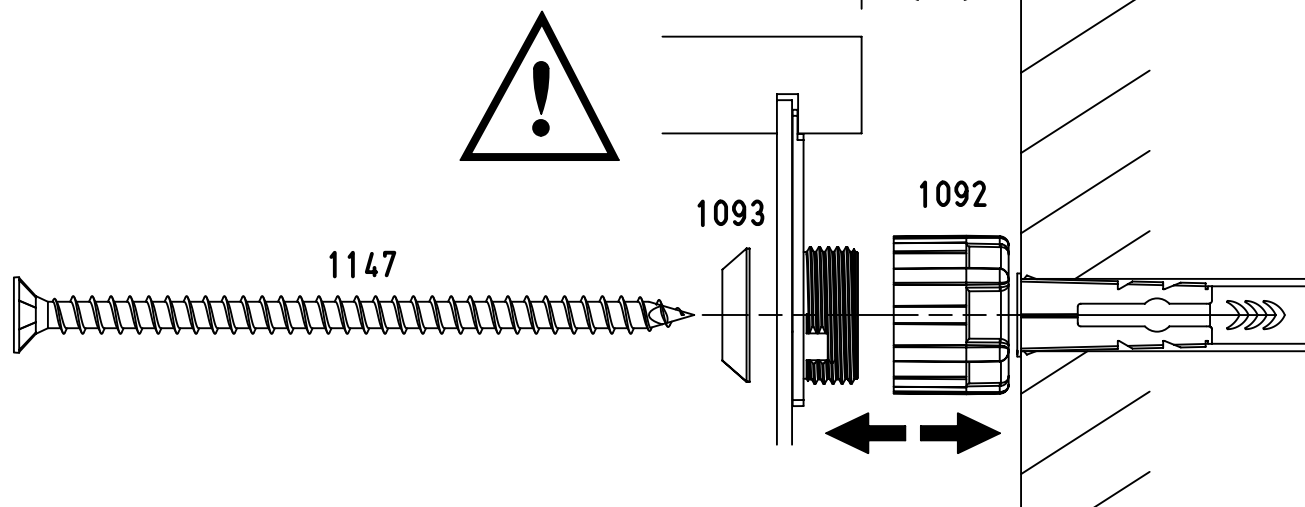
10-15mm



1147

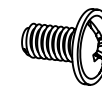
1093

1092

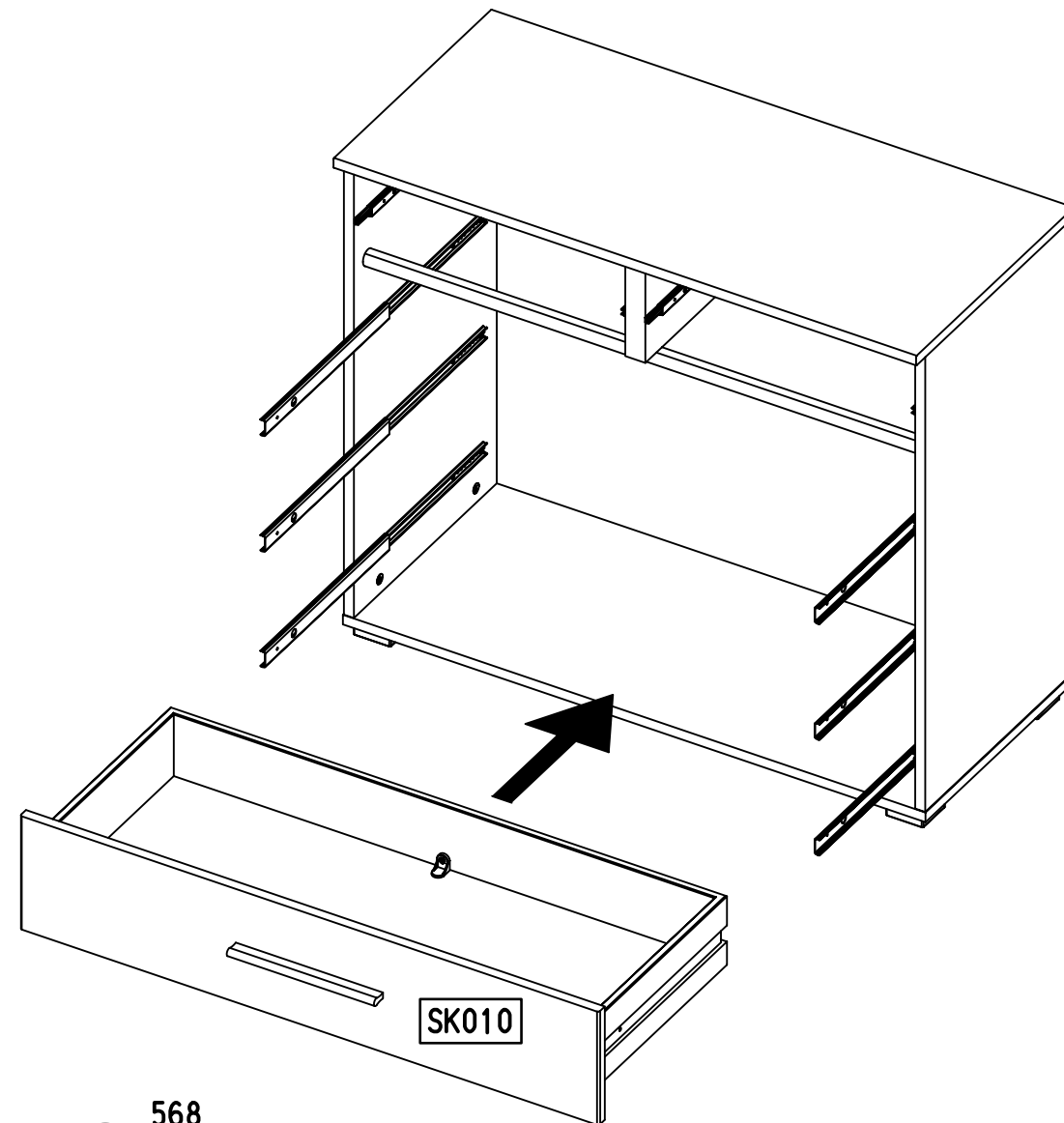
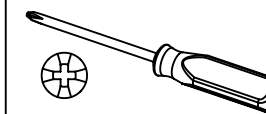


26

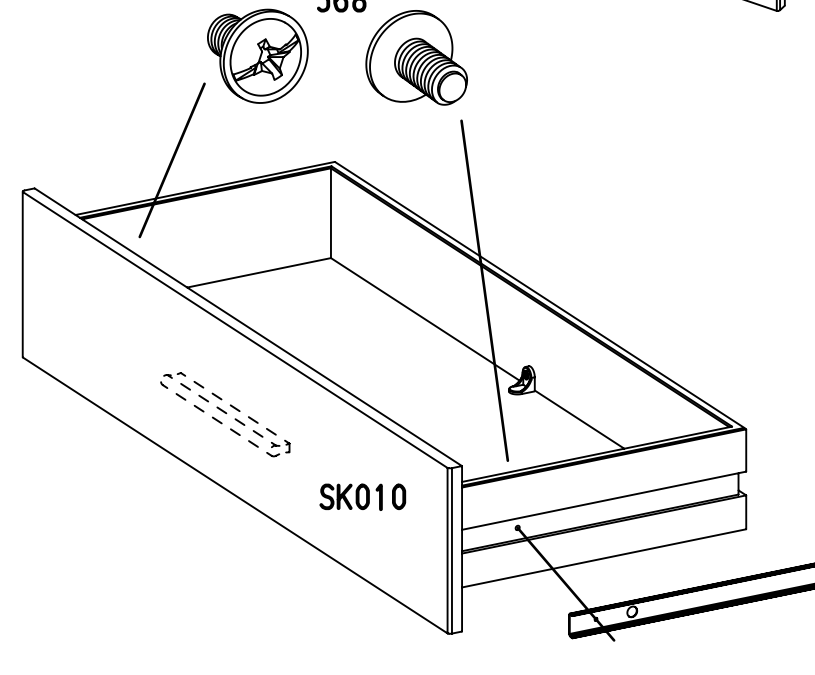
6x 568



M4x9



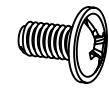
568



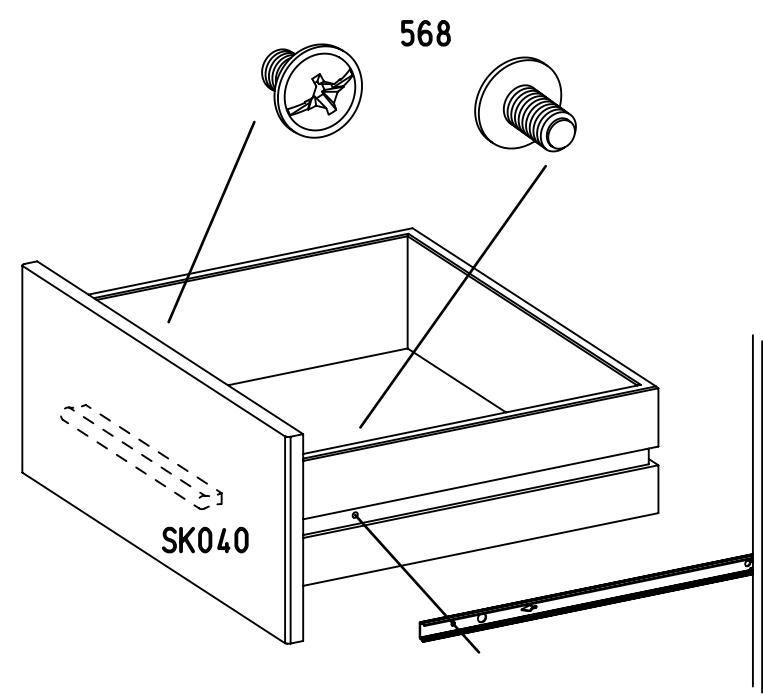
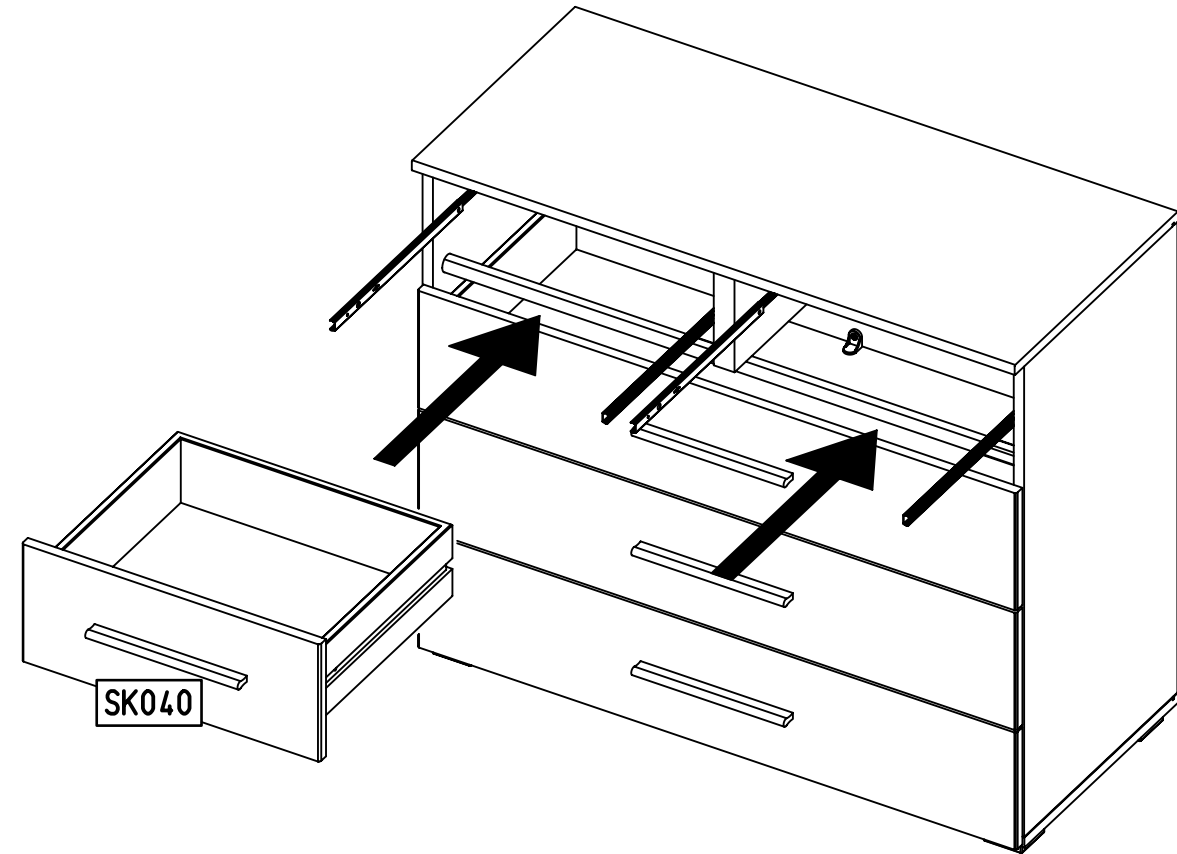
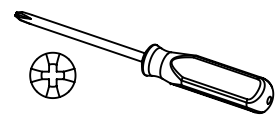
SK010

27

4x 568

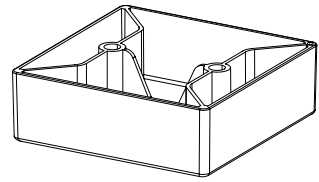


M4x9



MZ044_02

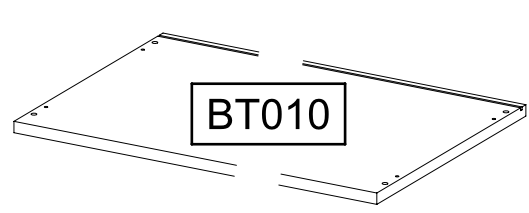
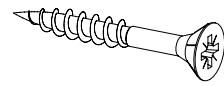
rauch



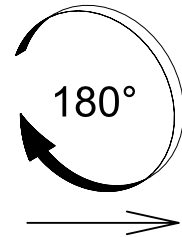
FU010

4x30

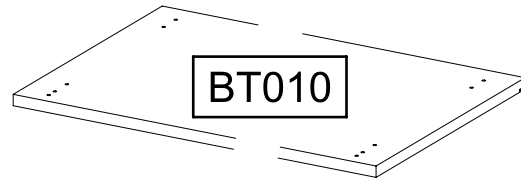
213



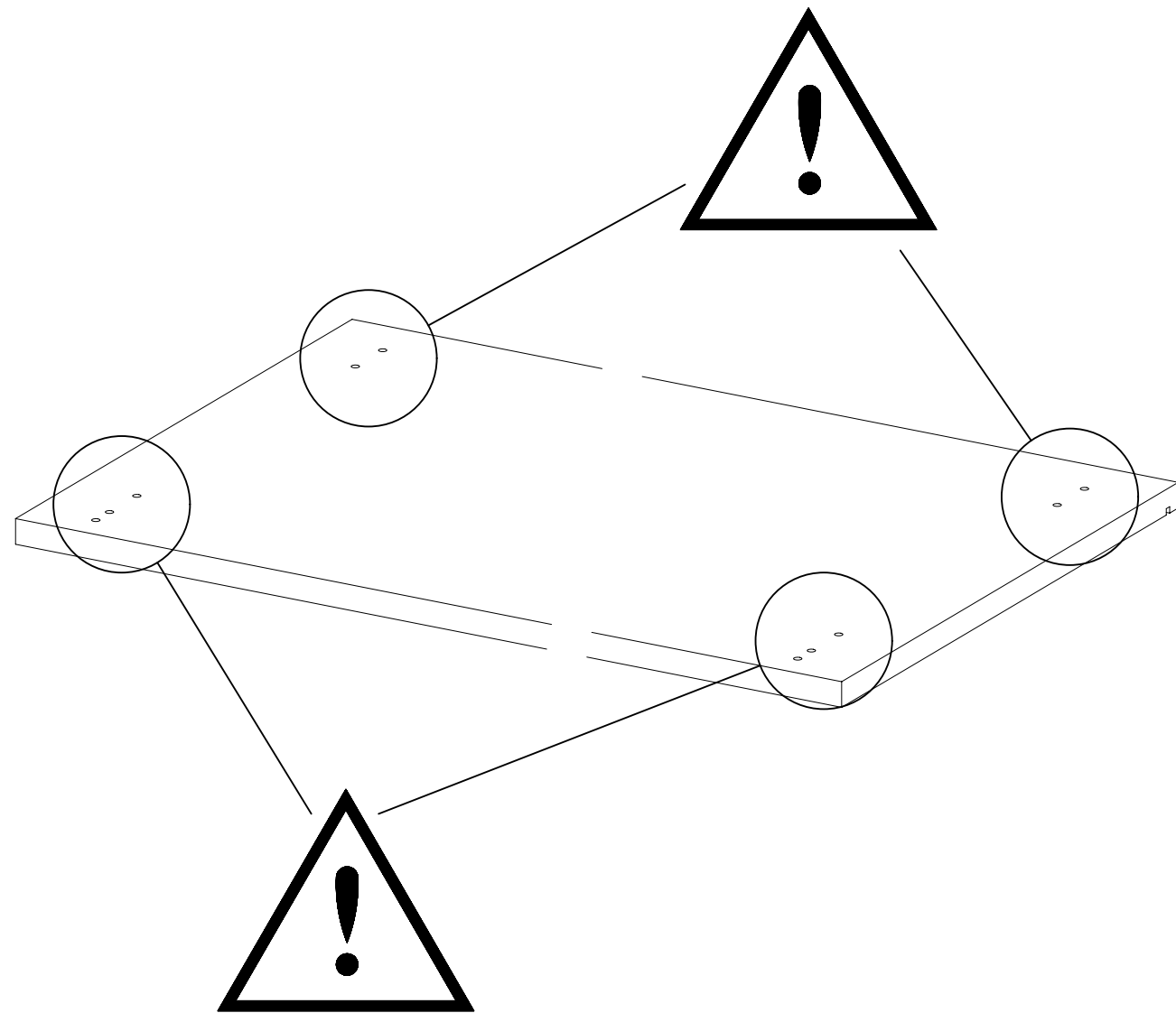
BT010



180°



BT010

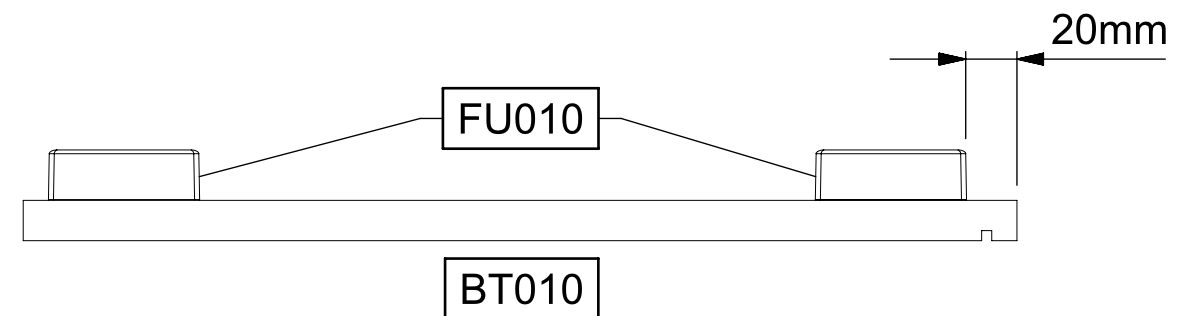
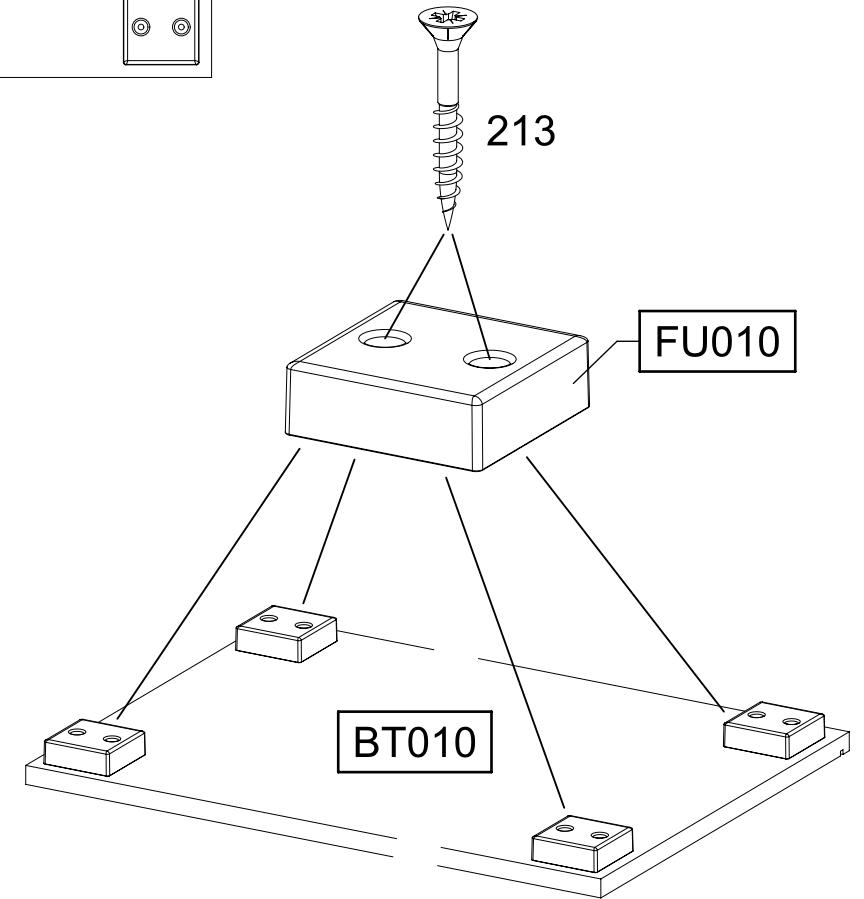
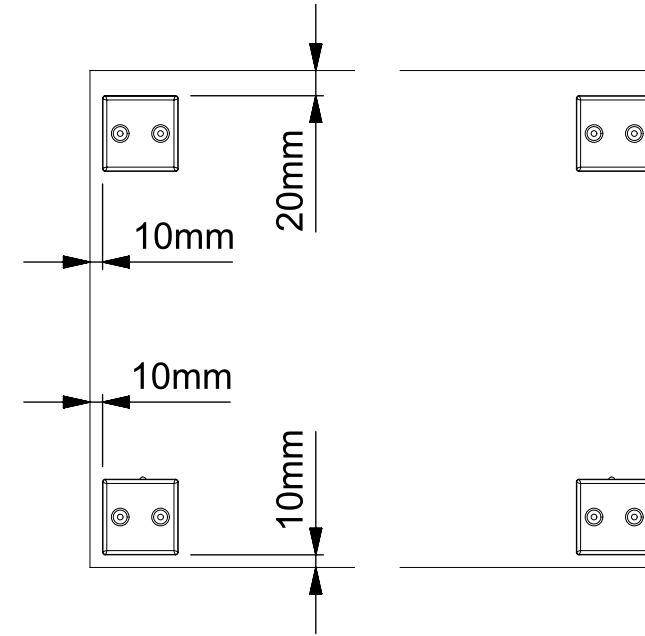
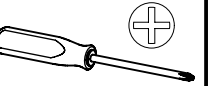


1

8x

213

4x30



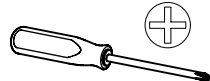
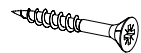
3.

2

2x

213

4x30



MS010

BT010

FU010

1.

Xmm Xmm
Xmm Xmm

2.

213

FU010

MZ044

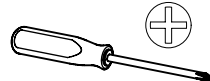
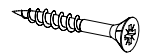
4.

3

2x

213

4x30



MS010

BT010

FU010

FU010

1.

Xmm Xmm
Xmm Xmm

Xmm

MS010

?

2.

213

FU010

MZ044

4

4x

213

4x30

