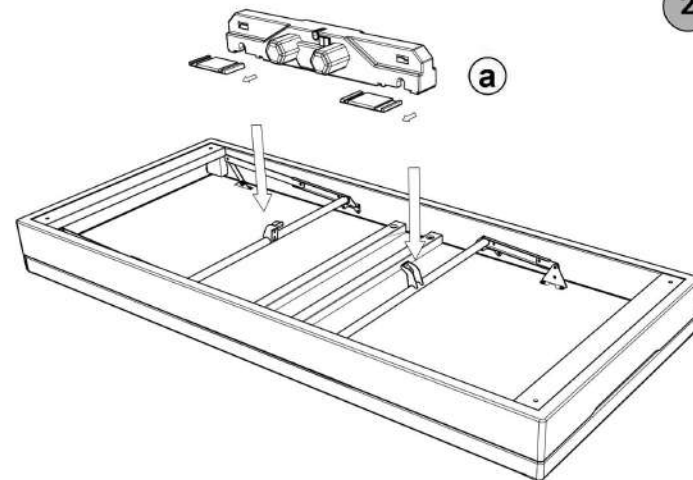


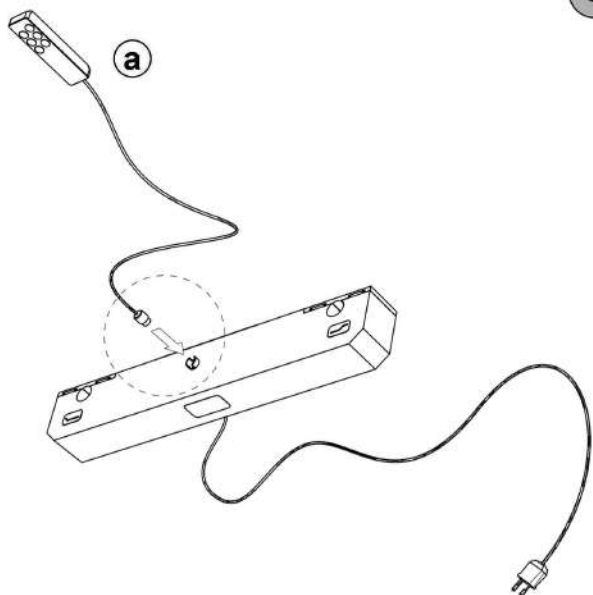
1



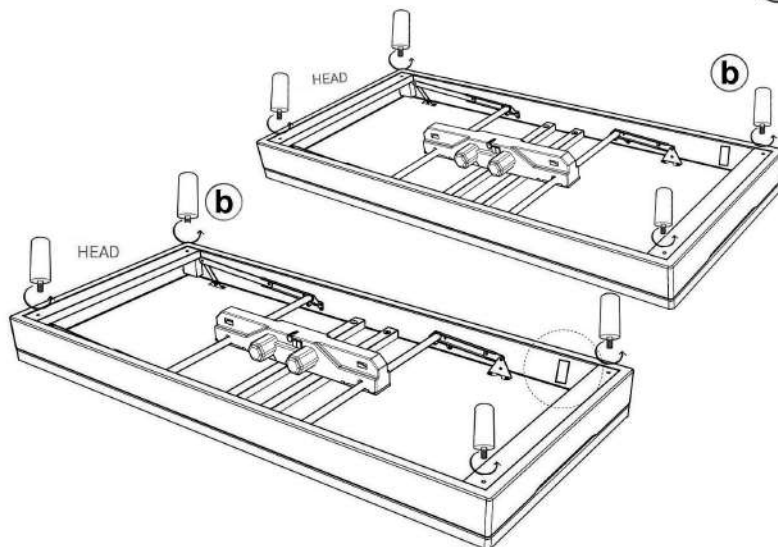
2



3



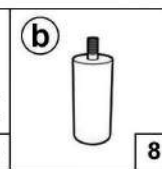
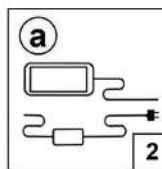
4



5

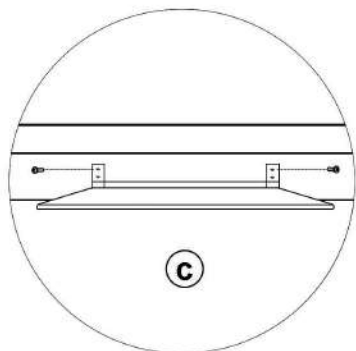


PLACE THE VELCRO ON BOTH BASES



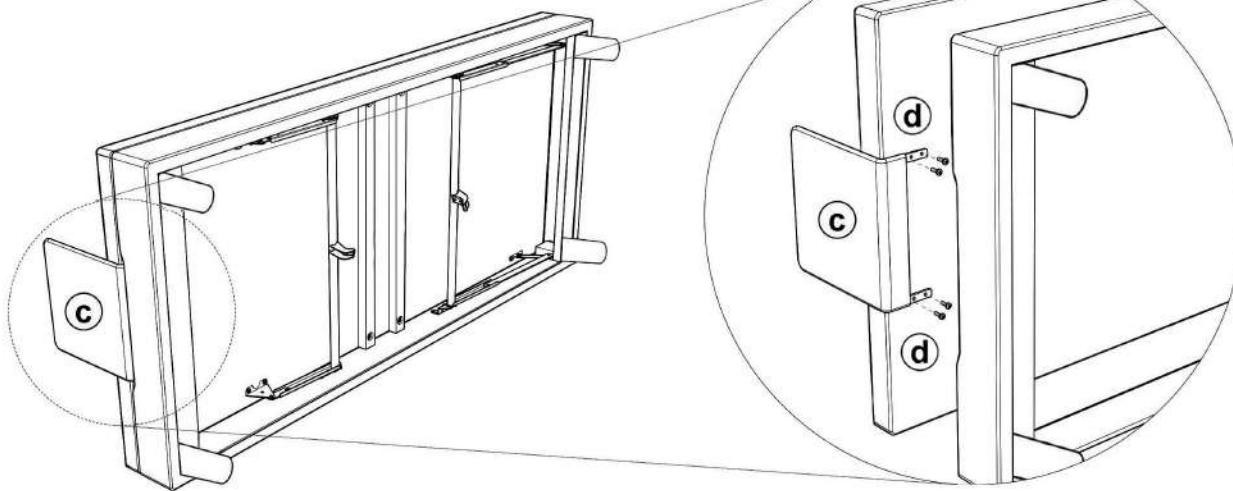


6

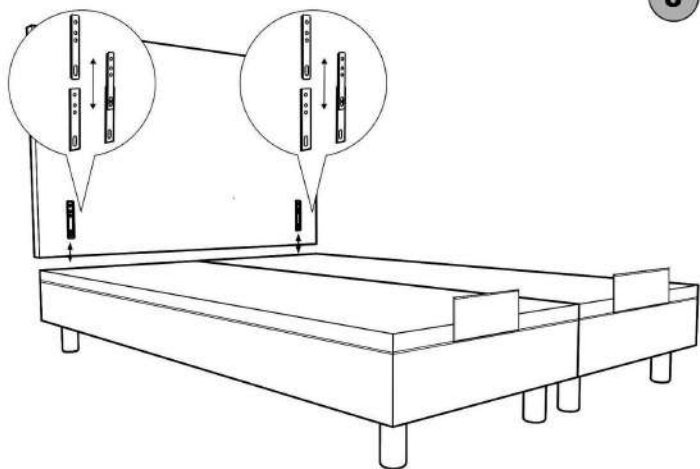


UNSCREW TO REMOVE THE STOPPER

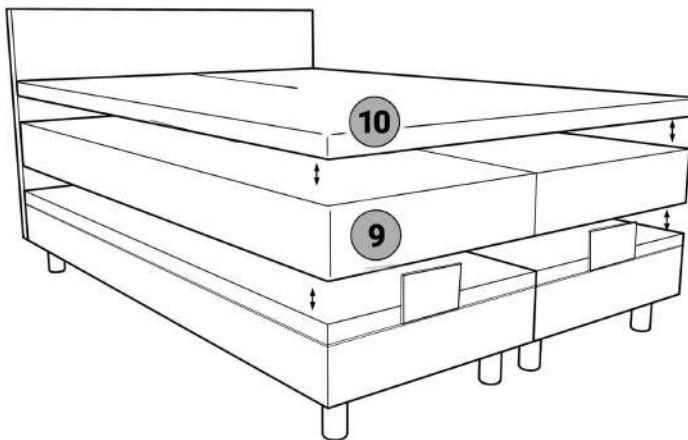
7



8



11



12

